
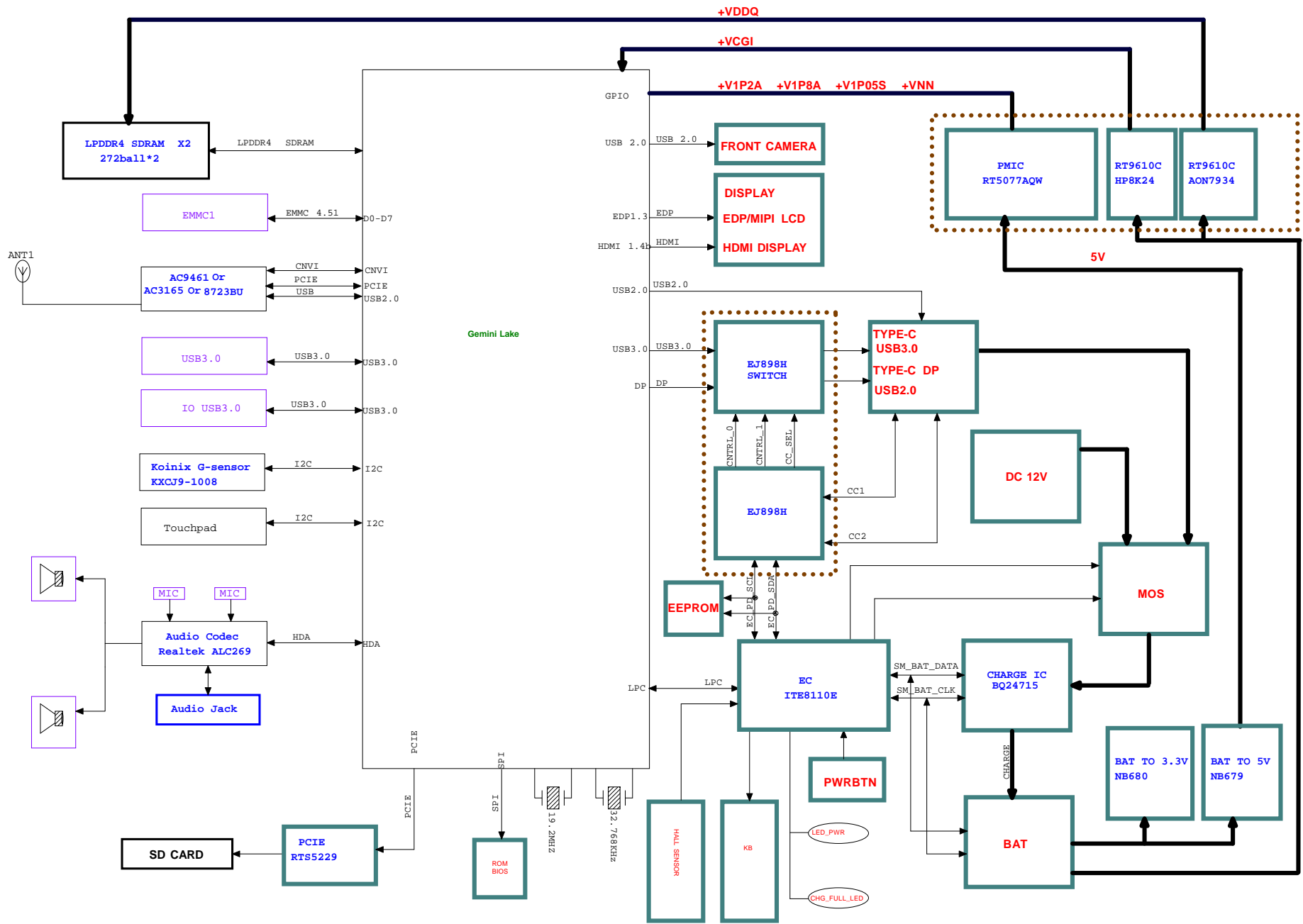


Gemini Lake

SF133GR200

LPDDR4 272Ball x2

 Gemini Lake		
Title Gemini Lake		
Size Custom	Document Number	Rev R100
COVER PAGE		
Date: Wednesday, August 22, 2018	Sheet	1 of 57



U1000A
?

		DDR4_LP3_LP4	DDR4_LP3_LP4		
19	MO_B_DQB8	BJ36	DDRCH0D00_DQ40_DQB8_DQB8	AT53	MO_A_DQSP0
19	MO_B_DQB9	BK37	DDRCH0D01_DQ41_DQB9_DQB9	AT55	MO_A_DQSN0
19	MO_B_DQB10	BJ35	DDRCH0D02_DQ42_DQB10_DQB10		
19	MO_B_DQB11	BL36	DDRCH0D03_DQ43_DQB11_DQB11	AW49	MO_A_DQSP1
19	MO_B_DQB12	BJ39	DDRCH0D04_DQ44_DQB12_DQB12	AW48	MO_A_DQSN1
19	MO_B_DQB13	BL40	DDRCH0D05_DQ45_DQB13_DQB13		
19	MO_B_DQB14	BJ40	DDRCH0D06_DQ46_DQB14_DQB14	BC54	MO_A_DQSP2
19	MO_B_DQB15	BK41	DDRCH0D07_DQ47_DQB15_DQB15	BB53	MO_A_DQSN2
19	MO_B_DQB0	BA35	DDRCH0D08_DQ32_DQB0_DQB0		
19	MO_B_DQB1	AY33	DDRCH0D09_DQ33_DQB1_DQB1	AR41	MO_A_DQSP3
19	MO_B_DQB2	BA33	DDRCH0D10_DQ34_DQB2_DQB2	AR43	MO_A_DQSN3
19	MO_B_DQB3	AY35	DDRCH0D11_DQ35_DQB3_DQB3		
19	MO_B_DQB4	BA37	DDRCH0D12_DQ36_DQB4_DQB4	AV37	MO_B_DQSP0
19	MO_B_DQB5	AY37	DDRCH0D13_DQ37_DQB5_DQB5	AV35	MO_B_DQSN0
19	MO_B_DQB6	AY39	DDRCH0D14_DQ38_DQB6_DQB6		
19	MO_B_DQB7	BA39	DDRCH0D15_DQ39_DQB7_DQB7	BL38	MO_B_DQSP1
19	MO_B_DQB24	BL34	DDRCH0D16_DQ56_DQB24_DQB24	BJ38	MO_B_DQSN1
19	MO_B_DQB25	BL30	DDRCH0D17_DQ57_DQB25_DQB25		
19	MO_B_DQB26	BJ29	DDRCH0D18_DQ58_DQB26_DQB26	BF31	MO_B_DQSP2
19	MO_B_DQB27	BJ29	DDRCH0D19_DQ59_DQB27_DQB27	BD31	MO_B_DQSN2
19	MO_B_DQB28	BJ33	DDRCH0D20_DQ60_DQB28_DQB28		
19	MO_B_DQB29	BK33	DDRCH0D21_DQ61_DQB29_DQB29	BJ32	MO_B_DQSP3
19	MO_B_DQB30	BJ34	DDRCH0D22_DQ62_DQB30_DQB30	BK31	MO_B_DQSN3
19	MO_B_DQB31	BJ30	DDRCH0D23_DQ63_DQB31_DQB31		
19	MO_B_DQB16	BD29	DDRCH0D24_DQ48_DQB16_DQB16	CG54	MO_B_CKE1
19	MO_B_DQB17	BF29	DDRCH0D25_DQ49_DQB17_DQB17	BH54	MO_B_CKE0
19	MO_B_DQB18	BH29	DDRCH0D26_DQ50_DQB18_DQB18	BJ42	MO_B_CS0_N
19	MO_B_DQB19	BF33	DDRCH0D27_DQ51_DQB19_DQB19	BF39	MO_B_CS1_N
19	MO_B_DQB20	BC29	DDRCH0D28_DQ52_DQB20_DQB20	BK43	MO_B_CS1_N
19	MO_B_DQB21	BD33	DDRCH0D29_DQ53_DQB21_DQB21		
19	MO_B_DQB22	BF35	DDRCH0D30_DQ54_DQB22_DQB22	BL44	MO_A_CS1_N
19	MO_B_DQB23	BH35	DDRCH0D31_DQ55_DQB23_DQB23	BD39	MO_A_CS0_N
19	MO_A_DQA0	ARE3	DDRCH1D00_DQ0_DQA0_DQA0	BJ43	MO_A_CKE1
19	MO_A_DQA1	AP55	DDRCH1D01_DQ1_DQA1_DQA1	BF55	MO_A_CKE0
19	MO_A_DQA2	AP53	DDRCH1D02_DQ2_DQA2_DQA2		
19	MO_A_DQA3	AN54	DDRCH1D03_DQ3_DQA3_DQA3	BE49	MO_B_CLK_P
19	MO_A_DQA4	AU54	DDRCH1D04_DQ4_DQA4_DQA4	BE51	MO_B_CLK_N
19	MO_A_DQA5	AV53	DDRCH1D05_DQ5_DQA5_DQA5		
19	MO_A_DQA6	AV55	DDRCH1D06_DQ6_DQA6_DQA6	BC49	MO_A_CLK_P
19	MO_A_DQA7	AW53	DDRCH1D07_DQ7_DQA7_DQA7	BC48	MO_A_CLK_N
19	MO_A_DQA8	AU51	DDRCH1D08_DQ8_DQA8_DQA8		
19	MO_A_DQA9	AU48	DDRCH1D09_DQ9_DQA9_DQA9		
19	MO_A_DQA10	AU49	DDRCH1D10_DQ10_DQA10_DQA10	BD45	
19	MO_A_DQA11	BA46	DDRCH1D11_DQ11_DQA11_DQA11	BH50	
19	MO_A_DQA12	BA48	DDRCH1D12_DQ12_DQA12_DQA12	BH47	MO_B_CAB5
19	MO_A_DQA13	BA49	DDRCH1D13_DQ13_DQA13_DQA13	BF45	
19	MO_A_DQA14	BA51	DDRCH1D14_DQ14_DQA14_DQA14	BH43	MO_B_CAB0
19	MO_A_DQA15	AR51	DDRCH1D15_DQ15_DQA15_DQA15	BD41	MO_B_CAB3
19	MO_A_DQA16	AY55	DDRCH1D16_DQ16_DQA16_DQA16	BH51	
19	MO_A_DQA17	BA54	DDRCH1D17_DQ17_DQA17_DQA17	BD43	MO_B_CAB4
19	MO_A_DQA18	BA53	DDRCH1D18_DQ18_DQA18_DQA18	BF43	MO_B_CAB2
19	MO_A_DQA19	AY53	DDRCH1D19_DQ19_DQA19_DQA19	BF41	MO_B_CAB1
19	MO_A_DQA20	BC53	DDRCH1D20_DQ20_DQA20_DQA20		
19	MO_A_DQA21	BD55	DDRCH1D21_DQ21_DQA21_DQA21	CG52	
19	MO_A_DQA22	BE54	DDRCH1D22_DQ22_DQA22_DQA22		
19	MO_A_DQA23	BD53	DDRCH1D23_DQ23_DQA23_DQA23	BK45	MO_A_CAA2
19	MO_A_DQA24	AN43	DDRCH1D24_DQ24_DQA24_DQA24	BJ46	MO_A_CAA1
19	MO_A_DQA25	AN44	DDRCH1D25_DQ25_DQA25_DQA25	BJ44	MO_A_CAA3
19	MO_A_DQA26	AR48	DDRCH1D26_DQ26_DQA26_DQA26	BJ47	MO_A_CAA0
19	MO_A_DQA27	AU41	DDRCH1D27_DQ27_DQA27_DQA27	BJ45	MO_A_CAA4
19	MO_A_DQA28	AU43	DDRCH1D28_DQ28_DQA28_DQA28	BK47	
19	MO_A_DQA29	AN41	DDRCH1D29_DQ29_DQA29_DQA29	BJ48	
19	MO_A_DQA30	AN39	DDRCH1D30_DQ30_DQA30_DQA30	BJ50	
19	MO_A_DQA31	AU44	DDRCH1D31_DQ31_DQA31_DQA31	BL50	MO_A_CAA5
			DDRCH0CA7_MA0_CAB972_NCNC	BD45	
			DDRCH0CA3_MA1_CAB880_NCNC	BH50	
			DDRCH0CA8_MA2_CAB554_CAB55	BH47	
			DDRCH0CA6_MA10_CAB763_NCNC	BF45	
			DDRCH0CA0_MA13_CAB009_CAB00	BH43	
			DDRCH0CA9_MA16_CAB336_CAB33	BD41	
			DDRCH0CA5_BA1_CAB681_NCNC	BH51	
			DDRCH0CA10_BA0_CAB427_CAB44	BD43	
			DDRCH0CA1_BG1_CAB245_CAB22	BF43	
			DDRCH0CA2_ACTN_CAB118_CAB11	BF41	
			DDRCH0CA4_MA3_NCNCNC_NCNC	CG52	
			DDRCH1CA4_MA4_NCNCNC_NCNC	BK45	
			DDRCH1CA10_MA5_CAA027_CAA02	BJ46	
			DDRCH1CA8_MA6_CAA209_CAA21	BJ44	
			DDRCH1CA5_MA7_CAA436_CAA43	BJ47	
			DDRCH1CA9_MA8_CAA318_CAA30	BJ45	
			DDRCH1CA6_MA9_CAA145_CAA14	BK47	
			DDRCH1CA1_MA11_CAA763_NCNC	BJ51	
			DDRCH1CA7_MA12_CAA654_NCNC	BJ52	
			DDRCH1CA3_MA14_CAA981_NCNC	BJ48	
			DDRCH1CA0_MA15_CAA890_NCNC	BJ50	
			DDRCH1CA2_BG0_CAA572_CAA56	BL50	
			DDR0VREFDQ_VREFDQ_NC	AV31	
			DDR0VREFCA_VREFCA_NC	AV29	

Title Gemini Lake			
Size B	Document Number	LPDDR4-CPU	Rev R100
Date:	Saturday, February 03, 2018	Sheet 3 of 57	

21	M1_B_DQB8	
21	M1_B_DQB9	
21	M1_B_DQB10	
21	M1_B_DQB11	
21	M1_B_DQB12	
21	M1_B_DQB13	
21	M1_B_DQB14	
21	M1_B_DQB15	
21	M1_B_DOB0	
21	M1_B_DOB1	
21	M1_B_DOB2	
21	M1_B_DOB3	
21	M1_B_DOB4	
21	M1_B_DOB5	
21	M1_B_DOB6	
21	M1_B_DOB7	
21	M1_B_DQB24	
21	M1_B_DQB25	
21	M1_B_DQB26	
21	M1_B_DQB27	
21	M1_B_DQB28	
21	M1_B_DQB29	
21	M1_B_DQB30	
21	M1_B_DQB31	
21	M1_B_DQB16	
21	M1_B_DQB17	
21	M1_B_DQB18	
21	M1_B_DQB19	
21	M1_B_DQB20	
21	M1_B_DQB21	
21	M1_B_DQB22	
21	M1_B_DQB23	
21	M1_A_DQA0	
21	M1_A_DQA1	
21	M1_A_DQA2	
21	M1_A_DQA3	
21	M1_A_DQA4	
21	M1_A_DQA5	
21	M1_A_DQA6	
21	M1_A_DQA7	
21	M1_A_DQA8	
21	M1_A_DQA9	
21	M1_A_DQA10	
21	M1_A_DQA11	
21	M1_A_DQA12	
21	M1_A_DQA13	
21	M1_A_DQA14	
21	M1_A_DQA15	
21	M1_A_DQA16	
21	M1_A_DQA17	
21	M1_A_DQA18	
21	M1_A_DQA19	
21	M1_A_DQA20	
21	M1_A_DQA21	
21	M1_A_DQA22	
21	M1_A_DQA23	
21	M1_A_DQA24	
21	M1_A_DQA25	
21	M1_A_DQA26	
21	M1_A_DQA27	
21	M1_A_DQA28	
21	M1_A_DQA29	
21	M1_A_DQA30	
21	M1_A_DQA31	

AY3	DDR1CH0DQ0_DQ40_DQ88_DQ88
BD3	DDR1CH0DQ1_DQ41_DQ89_DQ89
BD1	DDR1CH0DQ2_DQ42_DQ810_DQ810
BC3	DDR1CH0DQ3_DQ43_DQ811_DQ811
AY1	DDR1CH0DQ4_DQ44_DQ812_DQ812
BA3	DDR1CH0DQ5_DQ45_DQ813_DQ813
BA2	DDR1CH0DQ6_DQ46_DQ814_DQ814
BE2	DDR1CH0DQ7_DQ47_DQ815_DQ815
AR8	DDR1CH0DQ8_DQ32_DQ80_DQ80
AN15	DDR1CH0DQ9_DQ33_DQ81_DQ81
AN17	DDR1CH0DQ10_DQ34_DQ82_DQ82
AU12	DDR1CH0DQ11_DQ35_DQ83_DQ83
AN12	DDR1CH0DQ12_DQ36_DQ84_DQ84
AN13	DDR1CH0DQ13_DQ37_DQ85_DQ85
AU13	DDR1CH0DQ14_DQ38_DQ86_DQ86
AU15	DDR1CH0DQ15_DQ39_DQ87_DQ87
AP3	DDR1CH0DQ16_DQ56_DQ824_DQ824
AU2	DDR1CH0DQ17_DQ57_DQ825_DQ825
AV3	DDR1CH0DQ18_DQ58_DQ826_DQ826
AW3	DDR1CH0DQ19_DQ59_DQ827_DQ827
AN2	DDR1CH0DQ20_DQ60_DQ828_DQ828
AP1	DDR1CH0DQ21_DQ61_DQ829_DQ829
AR3	DDR1CH0DQ22_DQ62_DQ830_DQ830
AV1	DDR1CH0DQ23_DQ63_DQ831_DQ831
AR5	DDR1CH0DQ24_DQ48_DQ816_DQ816
BA8	DDR1CH0DQ25_DQ49_DQ817_DQ817
AU7	DDR1CH0DQ26_DQ50_DQ818_DQ818
AU5	DDR1CH0DQ27_DQ51_DQ819_DQ819
BA5	DDR1CH0DQ28_DQ52_DQ820_DQ820
BA7	DDR1CH0DQ29_DQ53_DQ821_DQ821
AU8	DDR1CH0DQ30_DQ54_DQ822_DQ822
BA10	DDR1CH0DQ31_DQ55_DQ823_DQ823
BJ26	DDR1CH1DQ0_DQ0_DQA0_DQA0
BL26	DDR1CH1DQ1_DQ1_DQA1_DQA1
BJ27	DDR1CH1DQ2_DQ2_DQA2_DQA2
BK27	DDR1CH1DQ3_DQ3_DQA3_DQA3
BJ23	DDR1CH1DQ4_DQ4_DQA4_DQA4
BK23	DDR1CH1DQ5_DQ5_DQA5_DQA5
BJ22	DDR1CH1DQ6_DQ6_DQA6_DQA6
BL22	DDR1CH1DQ7_DQ7_DQA7_DQA7
BD27	DDR1CH1DQ8_DQ8_DQA8_DQA8
BF27	DDR1CH1DQ9_DQ9_DQA9_DQA9
BH27	DDR1CH1DQ10_DQ10_DQA10_DQA10
BC27	DDR1CH1DQ11_DQ11_DQA11_DQA11
BH21	DDR1CH1DQ12_DQ12_DQA12_DQA12
BF23	DDR1CH1DQ13_DQ13_DQA13_DQA13
BD23	DDR1CH1DQ14_DQ14_DQA14_DQA14
BF21	DDR1CH1DQ15_DQ15_DQA15_DQA15
BK19	DDR1CH1DQ16_DQ16_DQA16_DQA16
BL20	DDR1CH1DQ17_DQ17_DQA17_DQA17
BL20	DDR1CH1DQ18_DQ18_DQA18_DQA18
BJ21	DDR1CH1DQ19_DQ19_DQA19_DQA19
BJ17	DDR1CH1DQ20_DQ20_DQA20_DQA20
BJ16	DDR1CH1DQ21_DQ21_DQA21_DQA21
BK15	DDR1CH1DQ22_DQ22_DQA22_DQA22
BL16	DDR1CH1DQ23_DQ23_DQA23_DQA23
BA21	DDR1CH1DQ24_DQ24_DQA24_DQA24
AY23	DDR1CH1DQ25_DQ25_DQA25_DQA25
BA23	DDR1CH1DQ26_DQ26_DQA26_DQA26
BA17	DDR1CH1DQ27_DQ27_DQA27_DQA27
AY21	DDR1CH1DQ28_DQ28_DQA28_DQA28
AY17	DDR1CH1DQ29_DQ29_DQA29_DQA29
AY19	DDR1CH1DQ30_DQ30_DQA30_DQA30
BA19	DDR1CH1DQ31_DQ31_DQA31_DQA31

INS26056611

DDR1

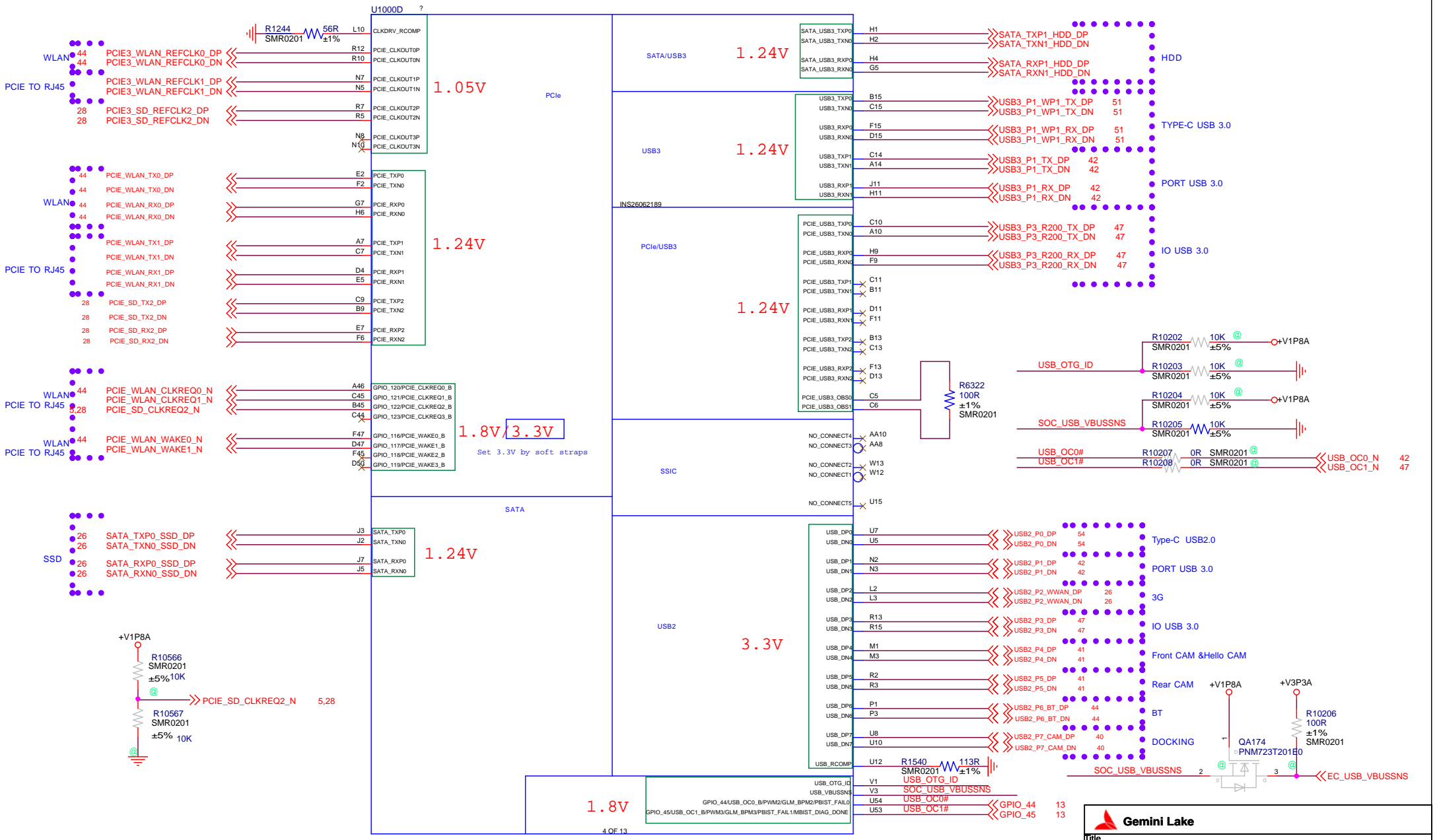
DDR4_LP3_LP4	DDR1CH0GSP0_DQSP0_DQSPA0_DQSPA0
	DDR1CH0GSP0_DQSP0_DQSPA0_DQSPA0
	DDR1CH0GSP1_DQSP1_DQSPA1_DQSPA1
	DDR1CH0GSP1_DQSP1_DQSPA1_DQSPA1
	DDR1CH0GSP2_DQSP2_DQSPA2_DQSPA2
	DDR1CH0GSP2_DQSP2_DQSPA2_DQSPA2
	DDR1CH0GSP3_DQSP3_DQSPA3_DQSPA3
	DDR1CH0GSP3_DQSP3_DQSPA3_DQSPA3
	DDR1CH0GSP1_DQSP4_DQSPB0_DQSPB0
	DDR1CH0GSP1_DQSP4_DQSPB0_DQSPB0
	DDR1CH0GSP0_DQSP5_DQSPB1_DQSPB1
	DDR1CH0GSP0_DQSP5_DQSPB1_DQSPB1
	DDR1CH0GSP3_DQSP6_DQSPB2_DQSPB2
	DDR1CH0GSP3_DQSP6_DQSPB2_DQSPB2
	DDR1CH0GSP2_DQSP7_DQSPB3_DQSPB3
	DDR1CH0GSP2_DQSP7_DQSPB3_DQSPB3
	DDR1CH0CA7_MA0_CAB972_NCNC
	DDR1CH0CA3_MA1_CAB890_NCNC
	DDR1CH0CA8_MA2_CAB554_CAB55
	DDR1CH0CA4_MA3_NCNCNC_NCNC
	DDR1CH0CA6_MA10_CAB763_NCNC
	DDR1CH0CA0_MA13_CAB009_CAB00
	DDR1CH0CA9_MA16_CAB336_CAB33
	DDR1CH0CA10_BA0_CAB427_CAB44
	DDR1CH0CA5_BA1_CAB681_NCNC
	DDR1CH0CA1_BG1_CAB245_CAB22
	DDR1CH0CA2_ACTN_CAB118_CAB11
	DDR1CH1CA1_MA11_CAA763_NCNC
	DDR1CH1CA7_MA12_CAA654_NCNC
	DDR1CH1CA3_MA14_CAA891_NCNC
	DDR1CH1CA0_MA15_CAA890_NCNC
	DDR1CH1CA2_BG0_CAA572_CAA55
	DDR1CH1CA4_MA4_NCNCNC_NCNC
	DDR1CH1CA10_MA5_CAA027_CAA02
	DDR1CH1CA8_MA6_CAA209_CAA21
	DDR1CH1CA5_MA7_CAA436_CAA43
	DDR1CH1CA9_MA8_CAA318_CAA30
	DDR1CH1CA6_MA9_CAA145_CAA14
	DDR1CH0CKP_CKP0_CKP0B_CKP0B
	DDR1CH0CKN_CKN0_CKN0B_CKN0B
	DDR1CH1CKP_CKP1_CKP1A_CKP1A
	DDR1CH1CKN_CKN1_CKN1A_CKN1A
	DDR1CH0CKE0_NC_CKE0B_CKE0B
	DDR1CH0CKE1_NC_CKE1B_CKE1B
	DDR1CH0CSB0_NC_CSB0B_CSB0B
	DDR1CH0CSB1_CS1N_CSB1B_CS1B
	DDR1CH0DT_ODT1_ODTB_CSB0
	DDR1CH1CSB0_CSB0_CSB0A_CS0A
	DDR1CH1ODT_ODT0_ODTA_CS1A
	DDR1CH1CSB1_NC_CSB1A_CS1A
	DDR1CH1CKE0_CKE0_CKE0A_CKE0A
	DDR1CH1CKE1_CKE1_CKE1A_CKE1A
AY29	DDR0_RCOMP R6287 110R SMR0201 21%
BC15	M1_DRAMRST_N R6288 110R SMR0201 21%
AY27	DDR1_RCOMP R6288 110R SMR0201 21%
AV27	
AV25	
BC43	MO_DRAMRST_N MO_DRAMRST_N 19

Gemini Lake

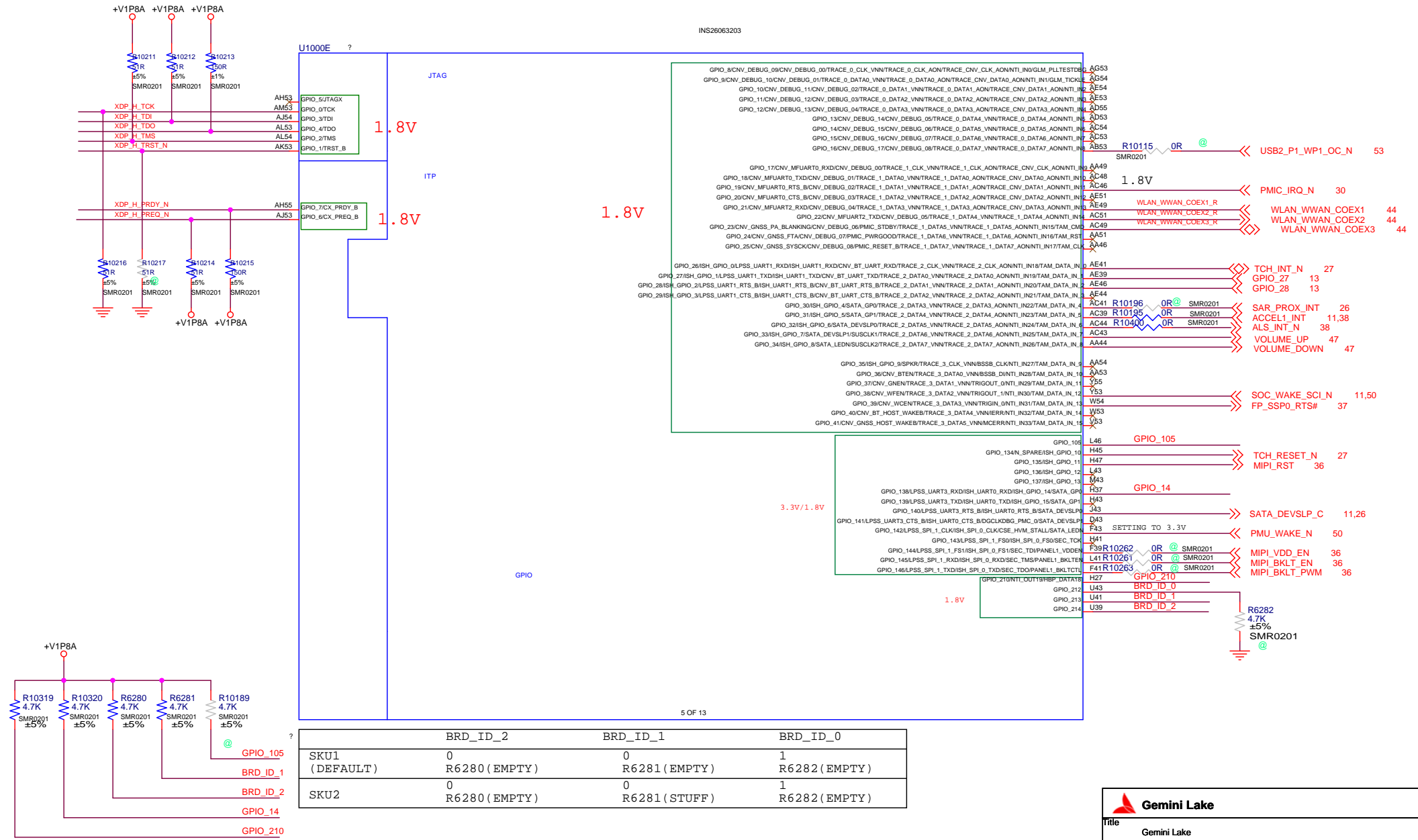
Title: Gemini Lake

Size B: Document Number **LPDDR4-CPU** Rev R100

Date: Saturday, February 03, 2018 Sheet 4 of 57



Gemini Lake			
Title Gemini Lake			
Size B	Document Number	Rev R100	
SKYLAKE SOC (DISPLAY)			
Date:	Saturday, February 03, 2018	Sheet	5 of 57

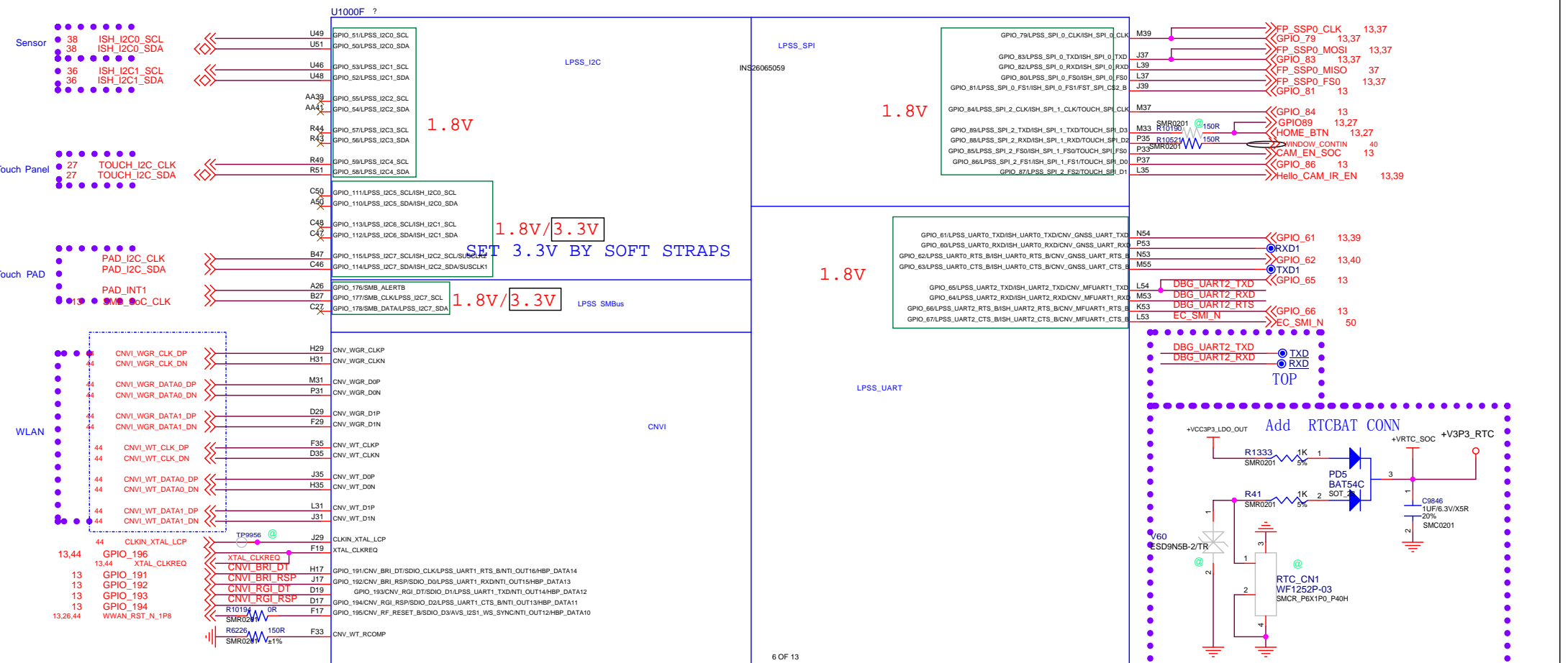


Gemini Lake

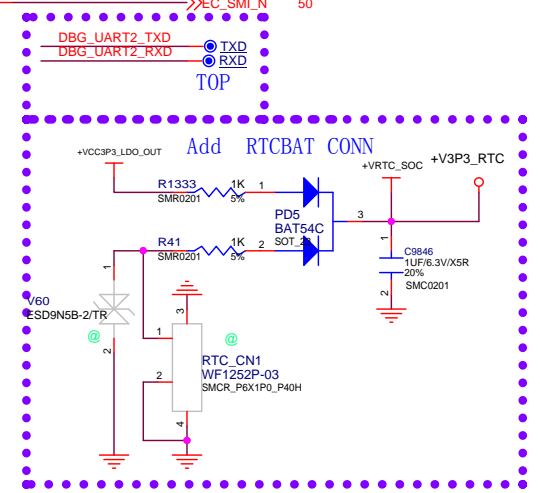
Title: Gemini Lake

Size B Document Number: SKYLAKE SOC (CSI-MIPI,EMMC) Rev R100

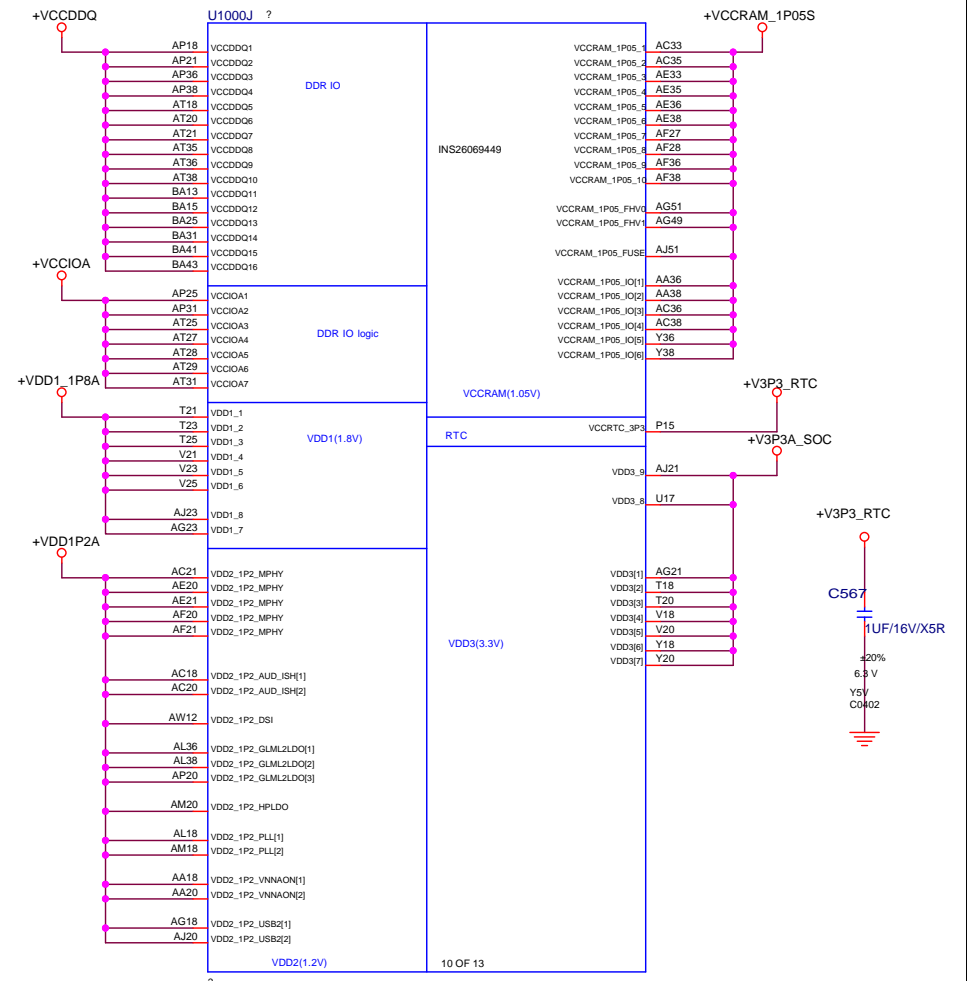
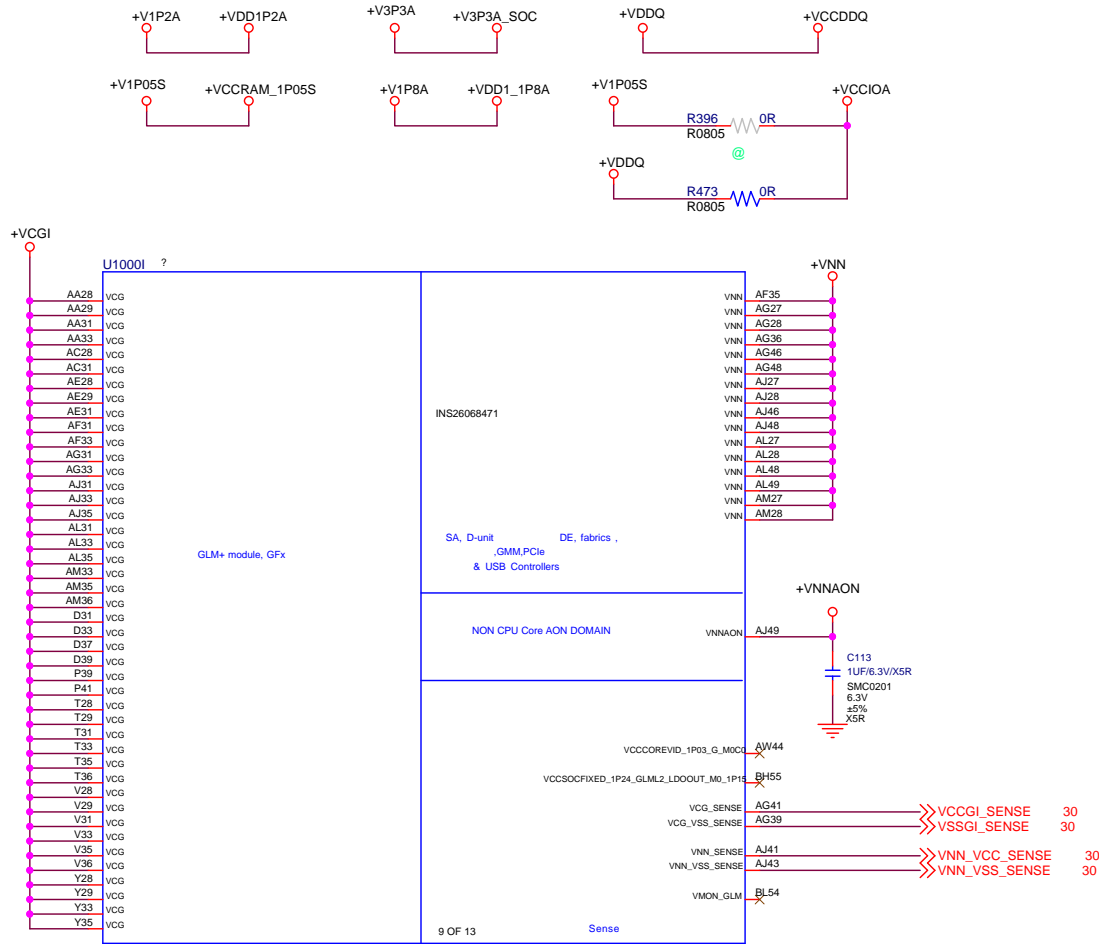
Date: Saturday, February 03, 2018 Sheet 7 of 57

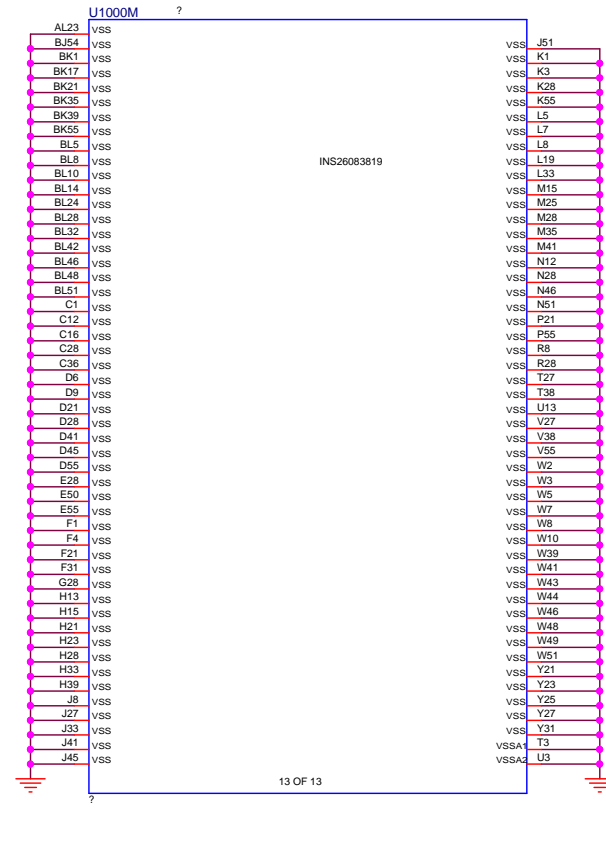
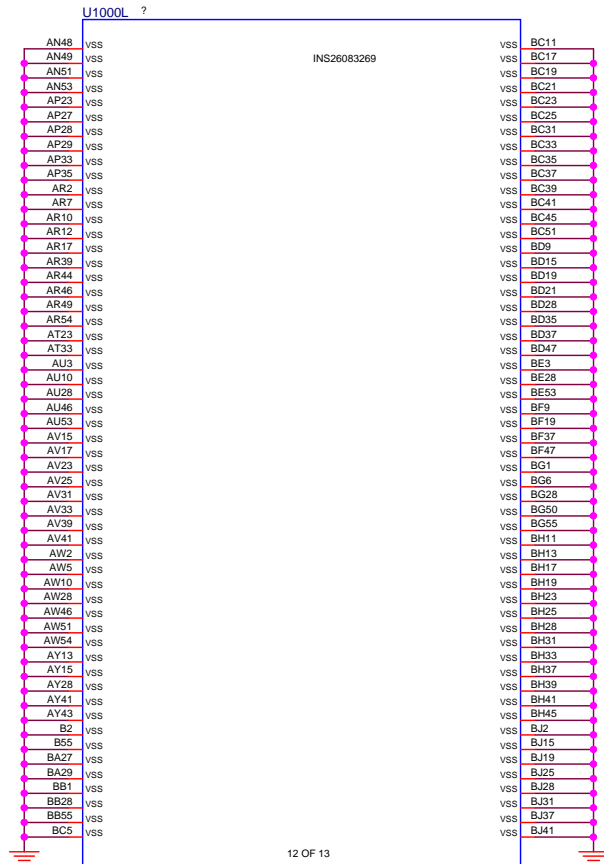
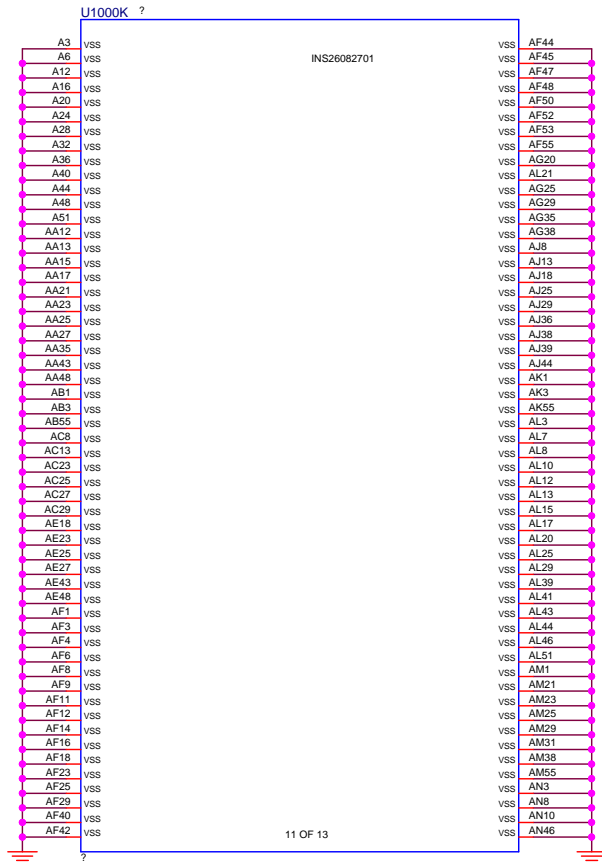


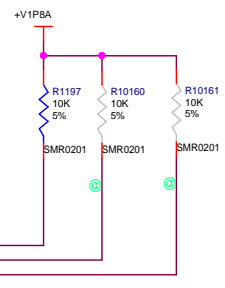
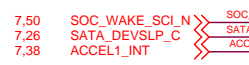
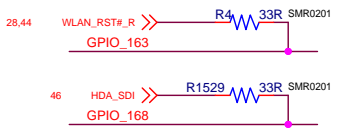
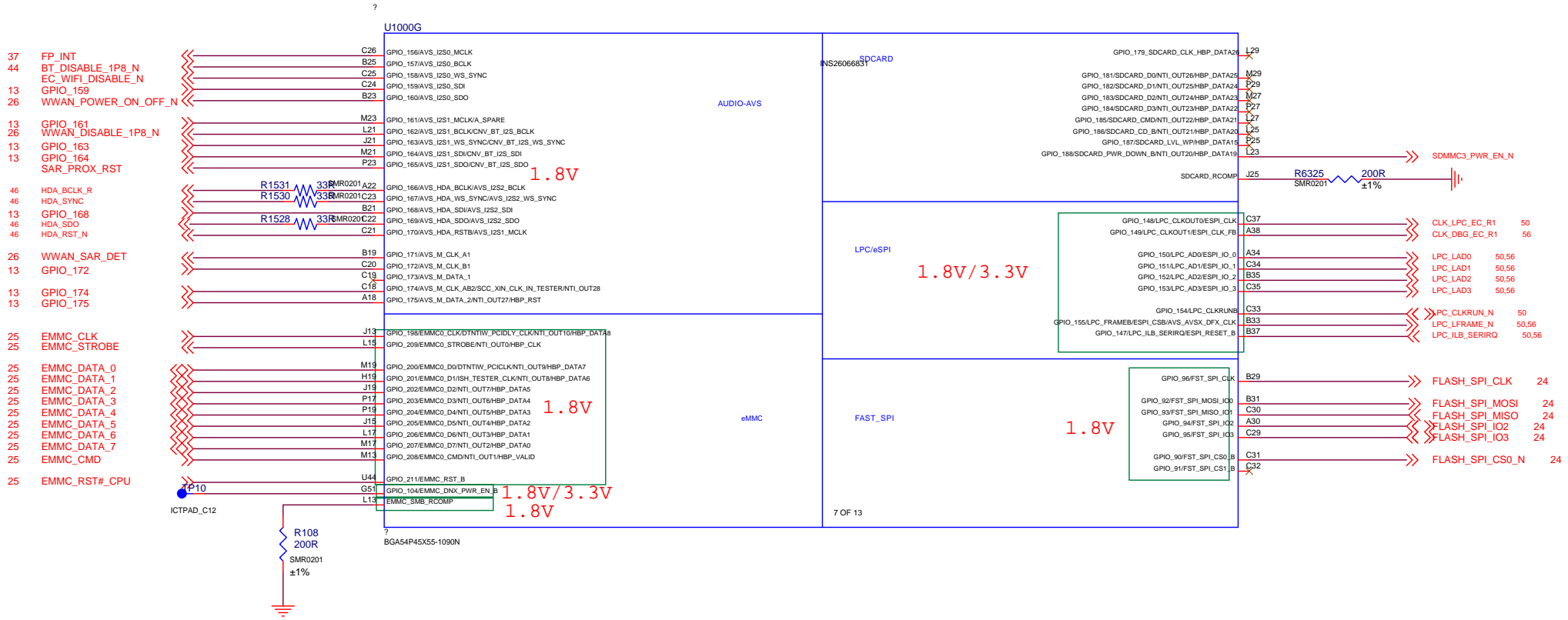
PLACE R6226 CLOSE TO PIN F33



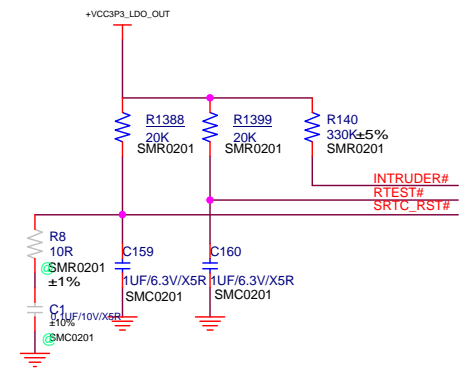
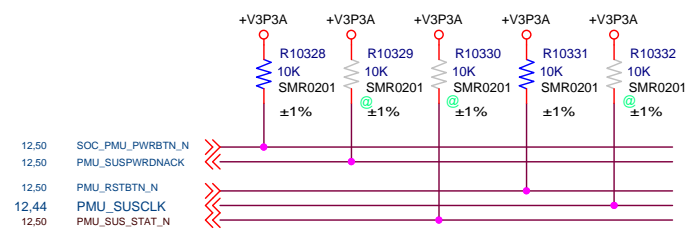
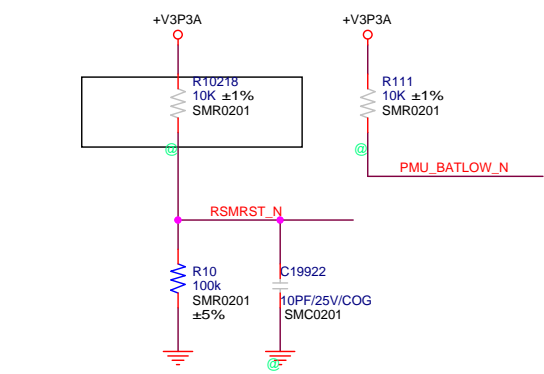
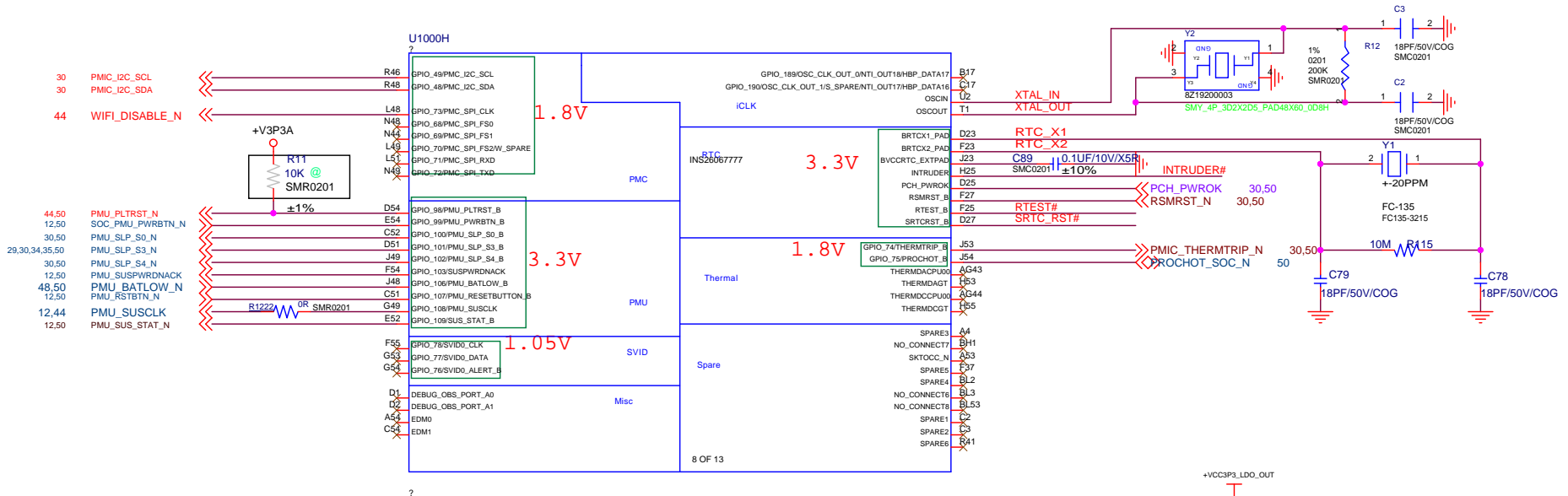
Gemini Lake	
Title Gemini Lake	
Size B	Document Number SKYLAKESOC(SPI,CLINK,SMBUS) R100
Date: Saturday, February 10, 2018	Sheet 8 of 57





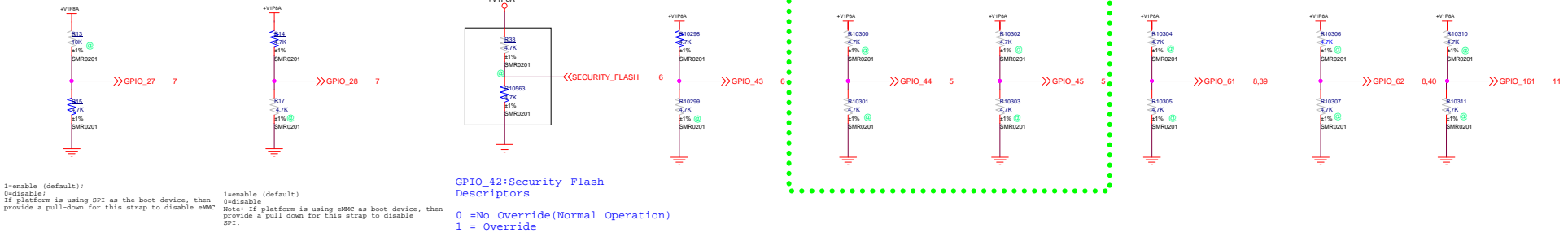


Gemini Lake	
Title Gemini Lake	
Size B	Document Number SKYLAKE SOC (POWER-CORE,GT)
Date: Friday, May 18, 2018	Rev R100
Sheet 11	of 57

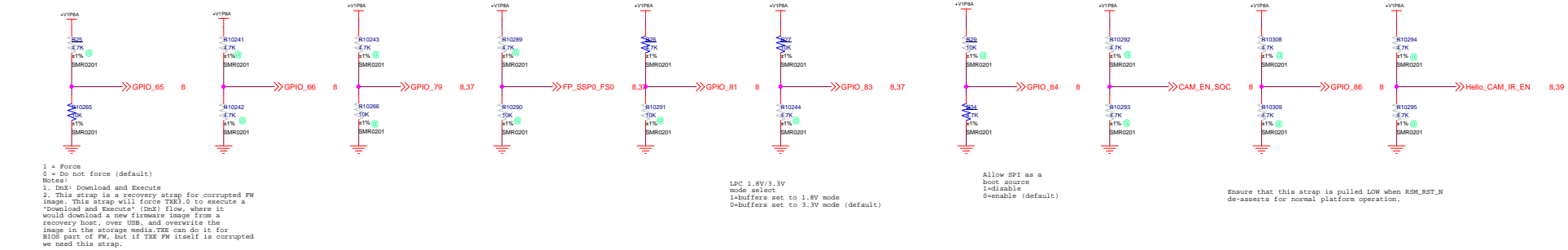


Title		
Gemini Lake		
Size	Document Number	Rev
B	SKYLAKE SOC (CPU POWER)	R100
Date:	Monday, May 07, 2018	Sheet 12 of 57

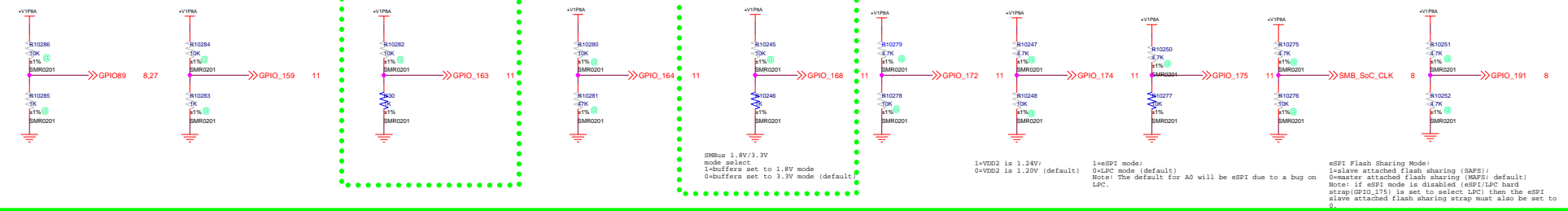
GPIO27 GPIO28 GPIO42 GPIO43 GPIO44 GPIO45 GPIO61 GPIO62 GPIO_161



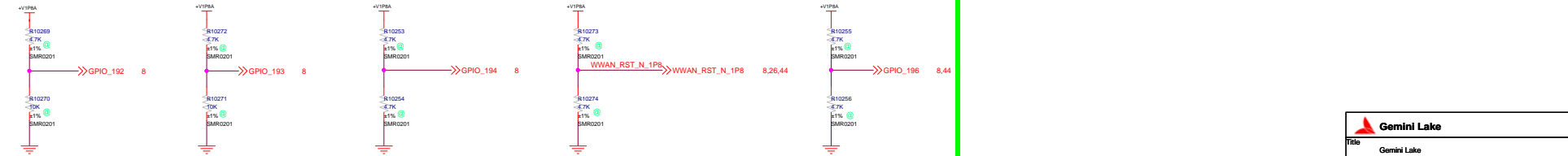
GPIO65 GPIO66 GPIO79 GPIO80 GPIO81 GPIO83 GPIO84 GPIO85 GPIO86 GPIO87

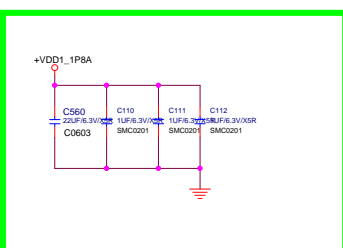
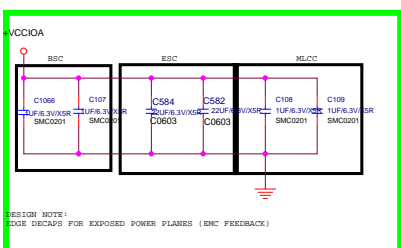
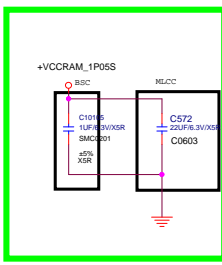
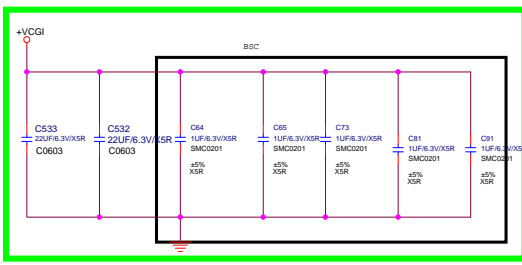
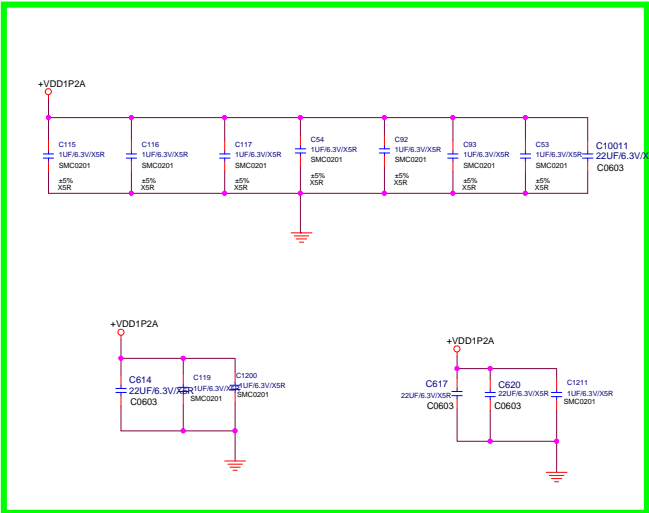
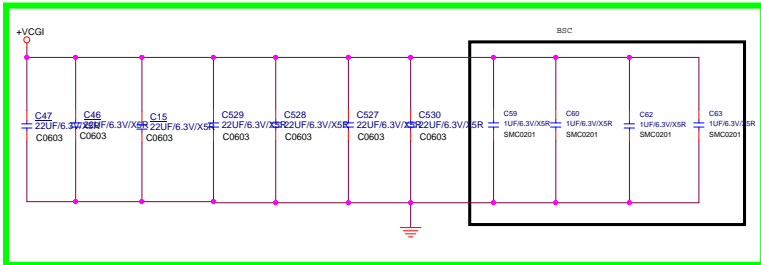
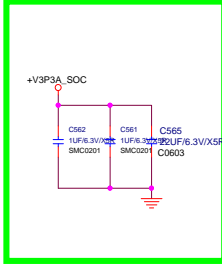
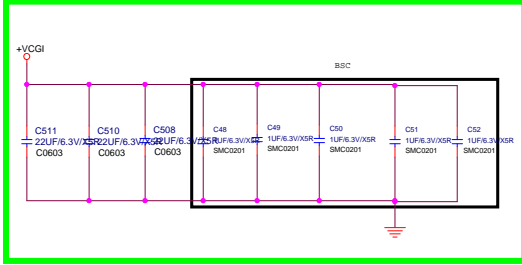
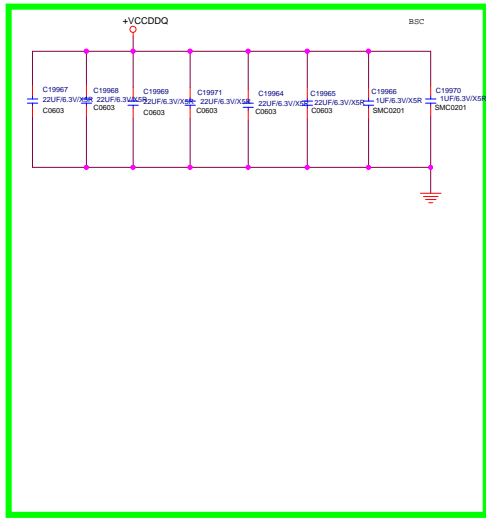
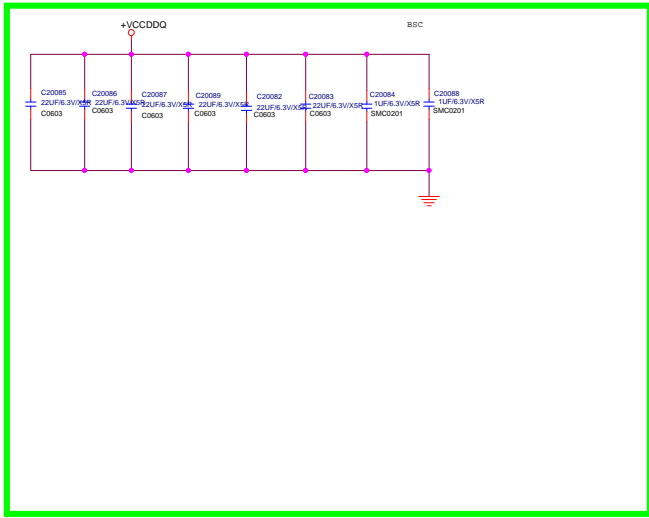
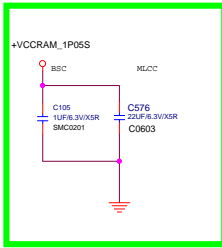
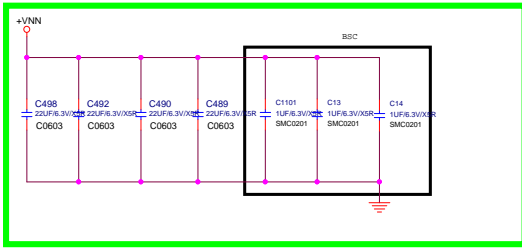


GPIO89 GPIO159 GPIO163 GPIO164 GPIO168 GPIO172 GPIO174 GPIO175 GPIO_177 GPIO191




GPIO_192 GPIO_193 GPIO194 GPIO195 GPIO196





DESIGN NOTE:
EDGE DECAPS FOR EXPOSED POWER PLANES (EMC FEEDBACK)

 Gemini Lake		
Title Gemini Lake		
Size A	Document Number SKYLAKE SOC (RSVD TEST)	Rev R100
Date:	Saturday, February 03, 2018	Sheet 15 of 57



Gemini Lake

Title

Gemini Lake

Size

A

Document Number

SKYLAKE SOC (GND)

Rev

R100

Date:

Saturday, February 03, 2018

Sheet

16 of 57



Gemini Lake

Title

Gemini Lake

Size

A

Document Number

SKYLAKE SOC (DECOUPLING)

Rev

R100

Date:

Saturday, February 03, 2018

Sheet

17 of 57



Gemini Lake

Title

Gemini Lake

Size

A

Document Number

SKYLAKE SOC (DECOUPLING)

Rev

R100

Date:


Saturday, February 03, 2018


Sheet

18

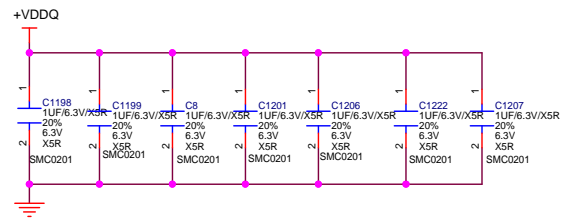
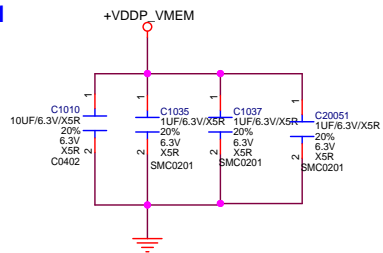
of

57

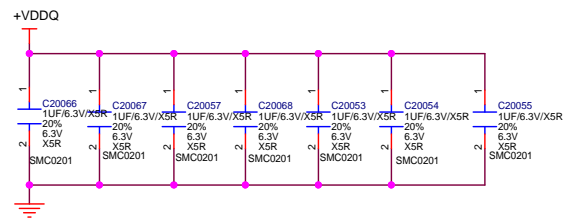
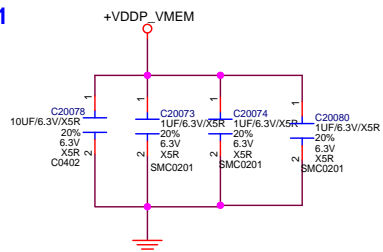
 Gemini Lake			
Title Gemini Lake			
Size B	Document Number	LPDDR4 CH-C DEVICE-0	Rev R100
Date:	Saturday, February 03, 2018	Sheet	20 of 57


 Gemini Lake			
Title Gemini Lake			
Size B	Document Number	LPDDR4 CH-D DEVICE-0	Rev R100
Date:	Saturday, February 03, 2018	Sheet	22 of 57

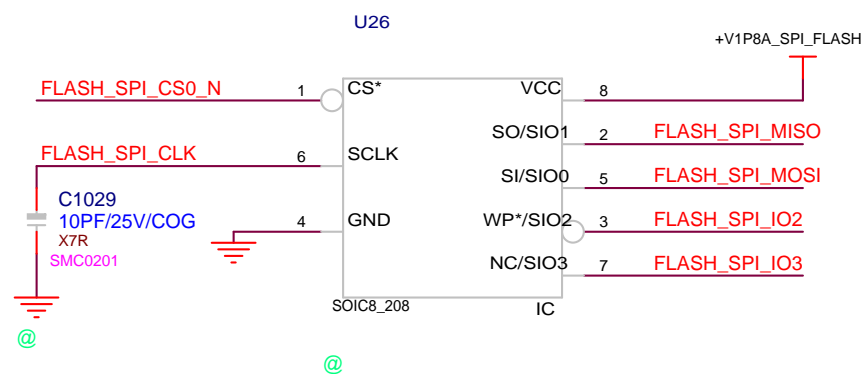
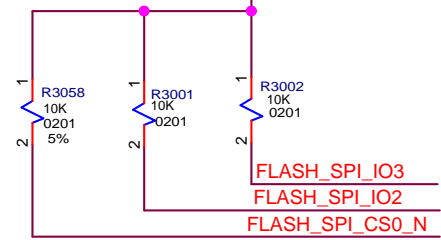
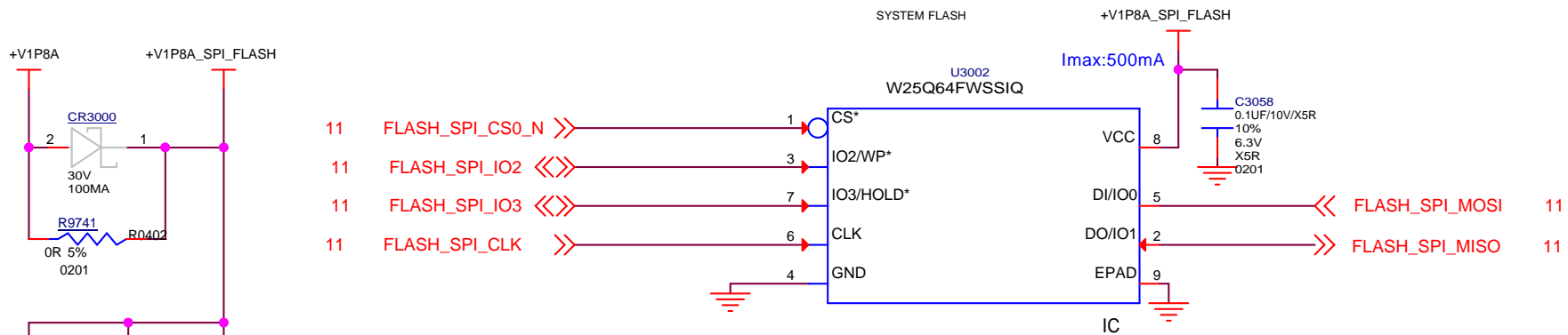
CHA-1

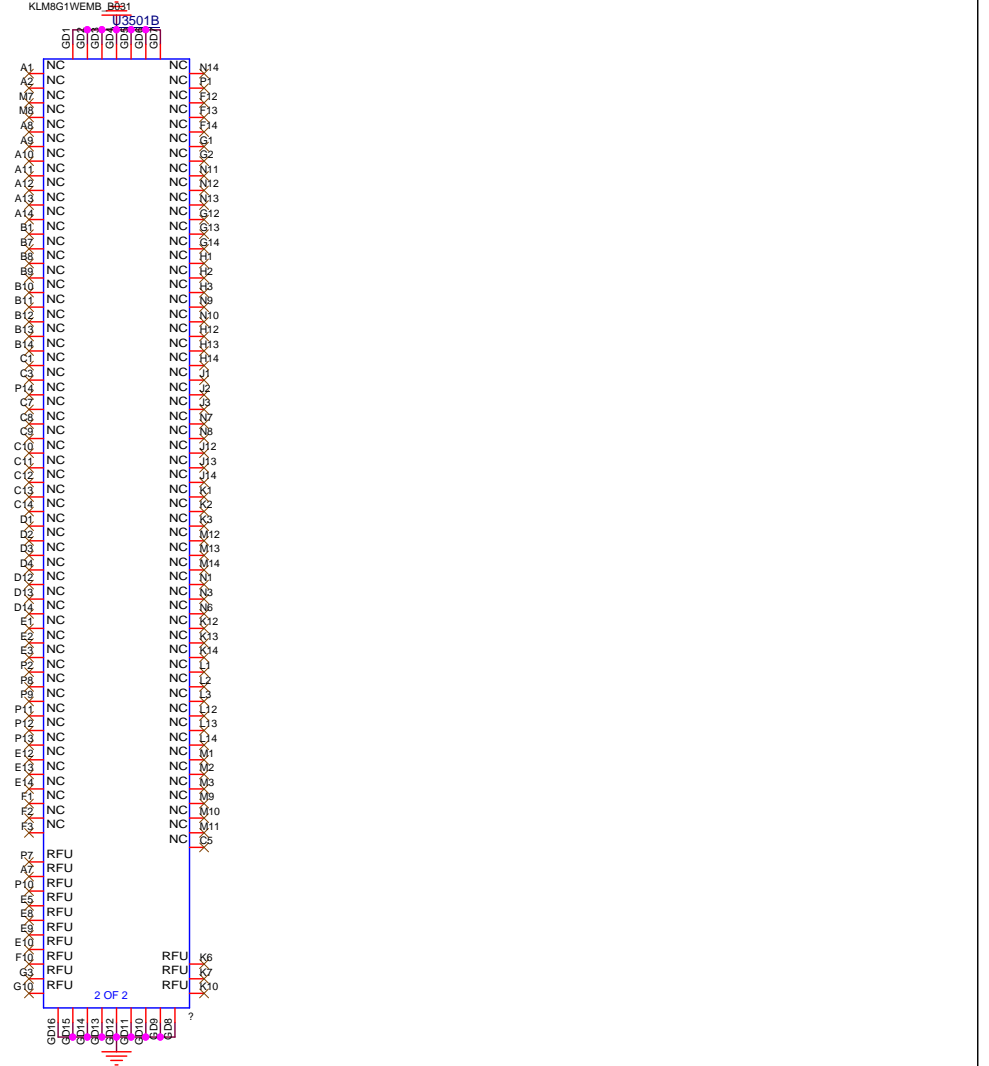
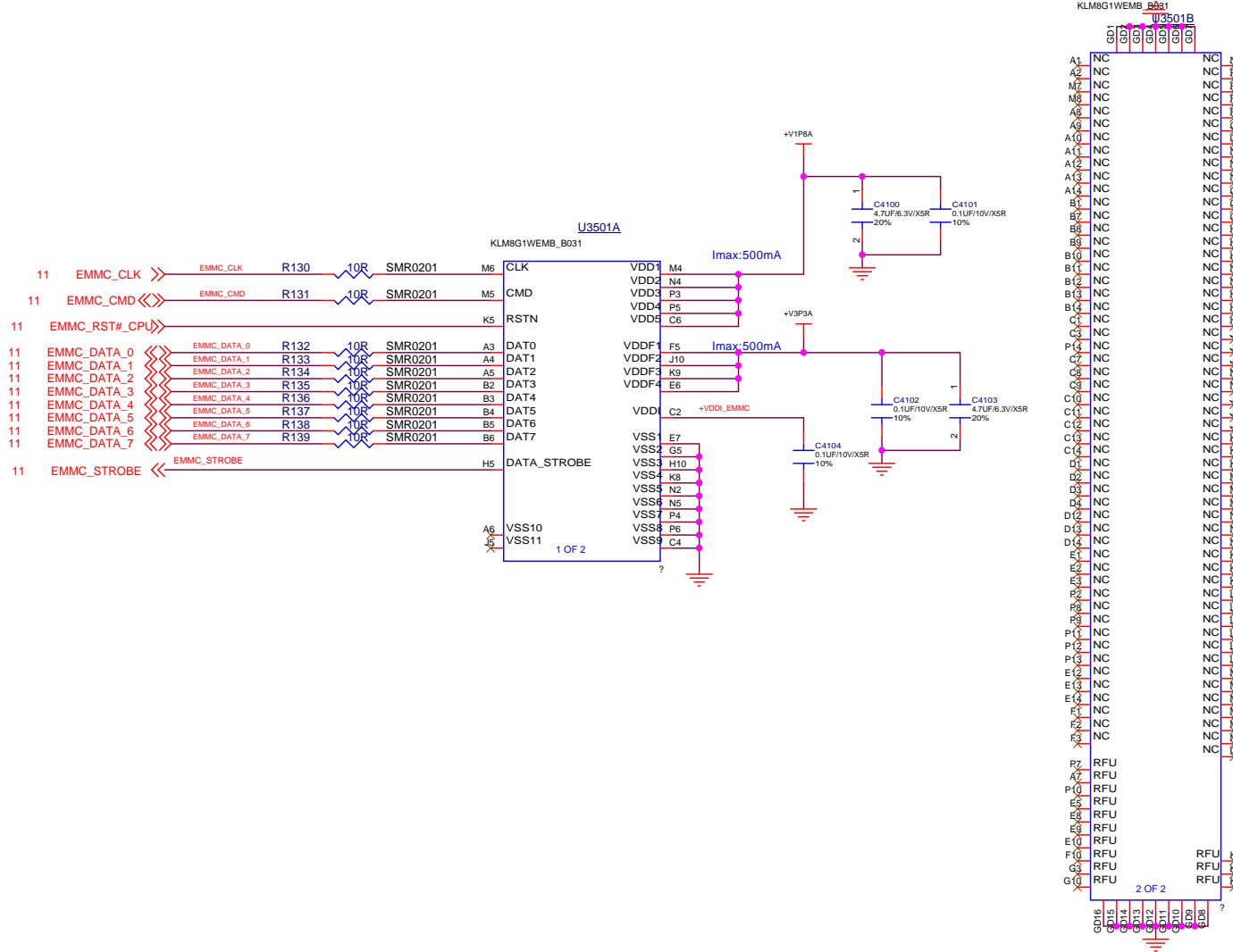


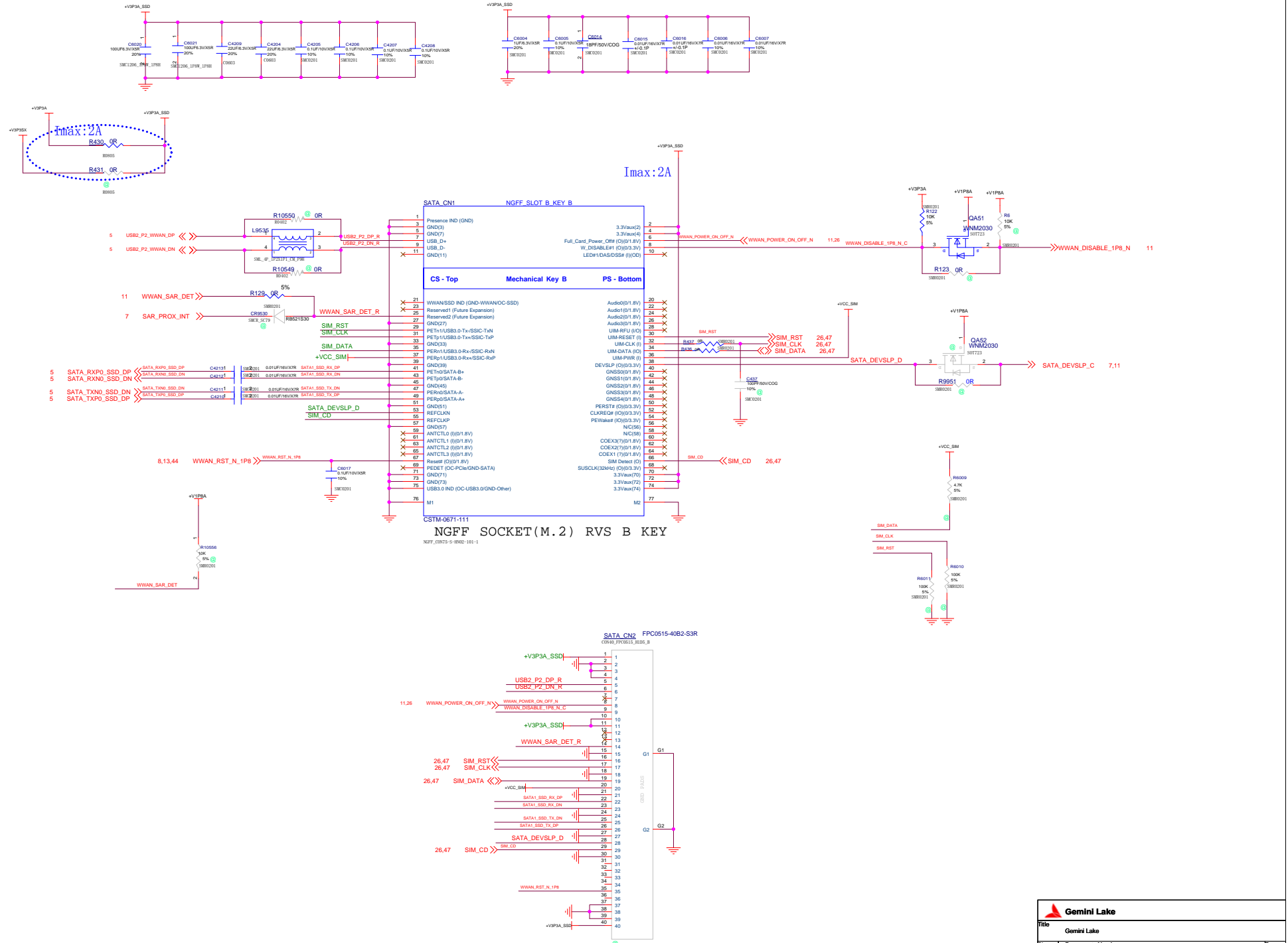
CHB-1



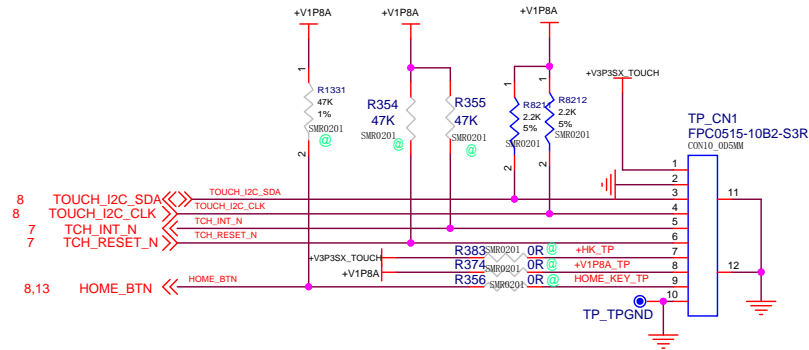
 Gemini Lake		
Title Gemini Lake		
Size B	Document Number LPDDR3 DECOUPLING	Rev R100
Date: Monday, February 05, 2018 Sheet 23 of 57		




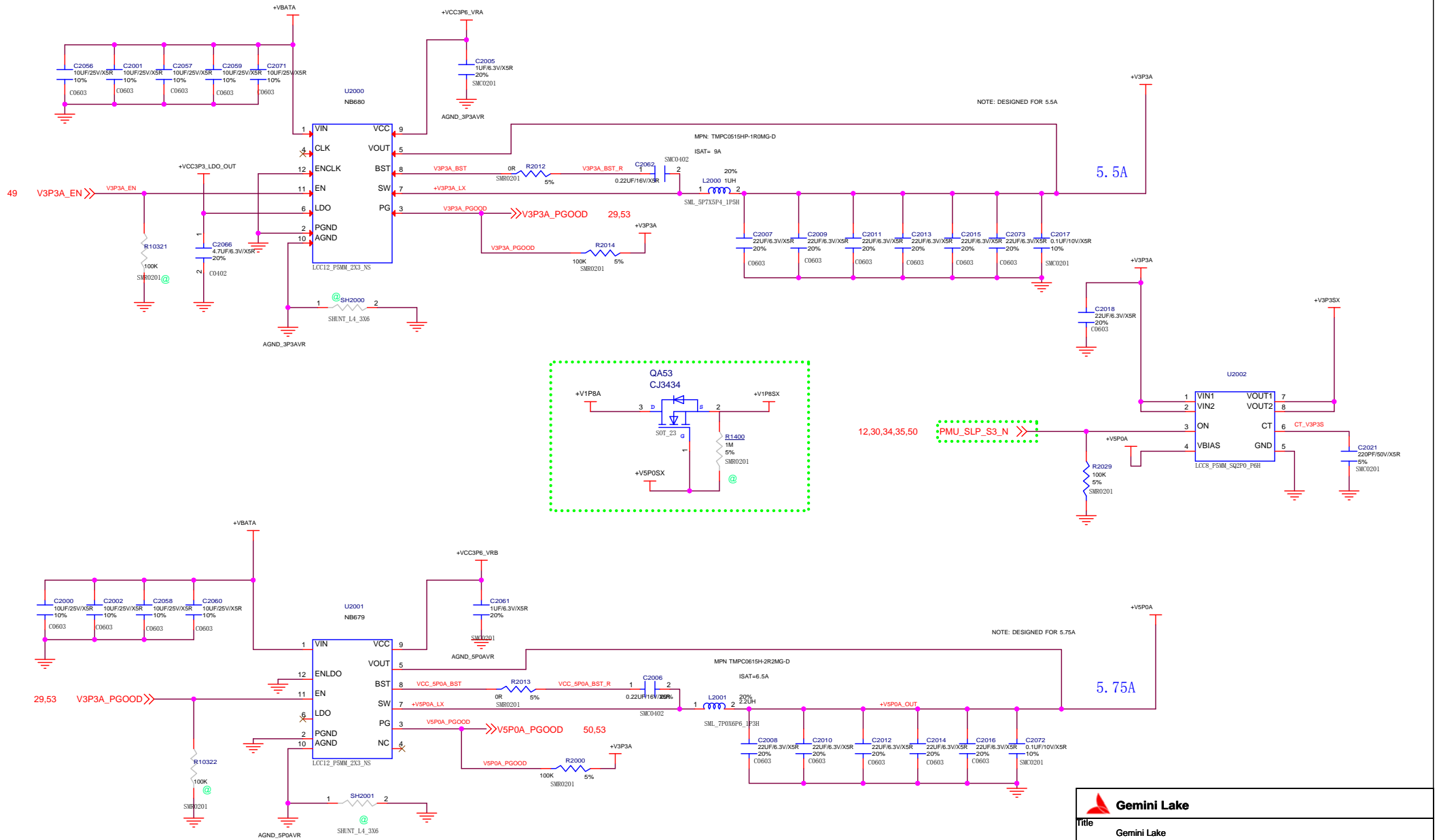





COF TOUCH




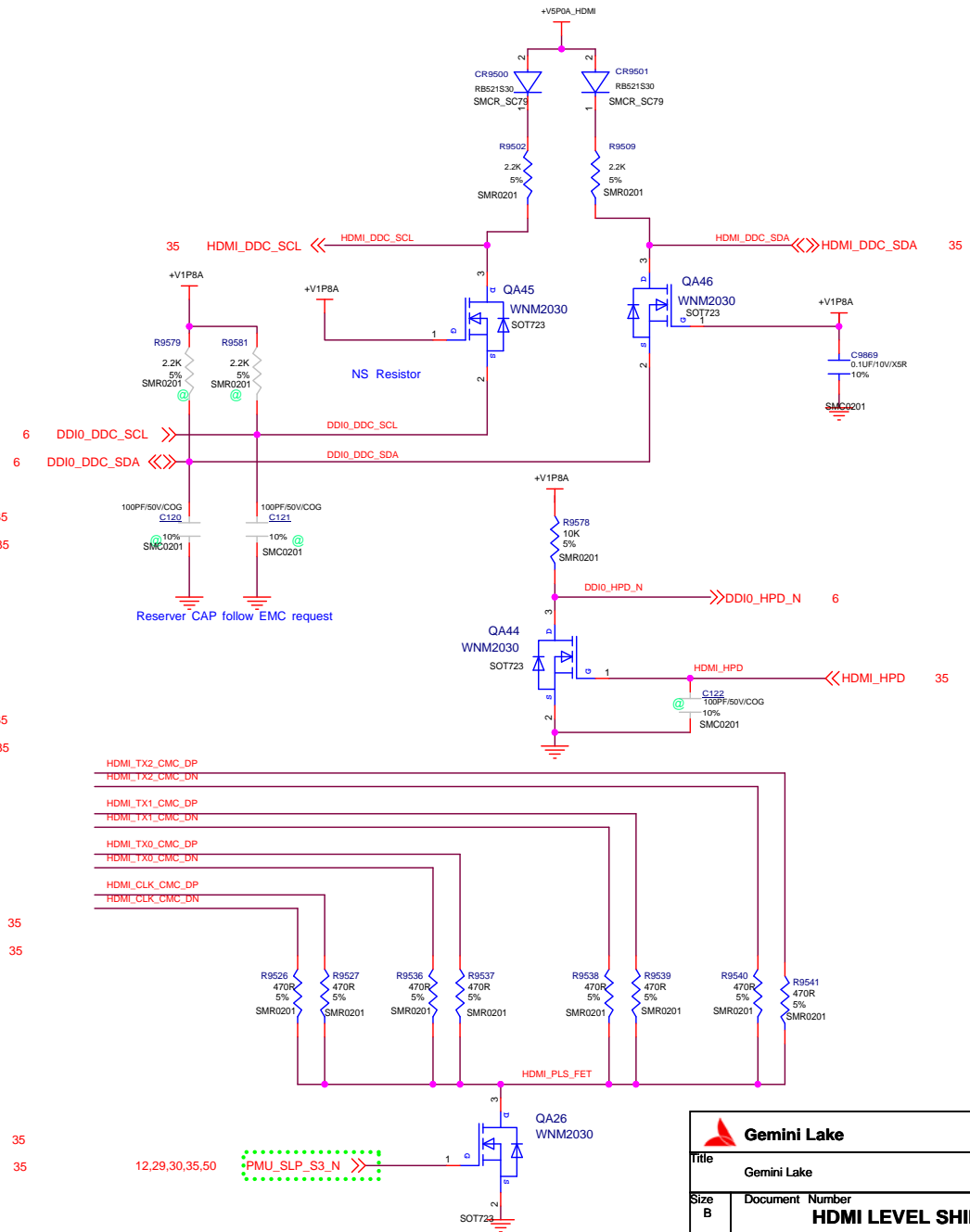
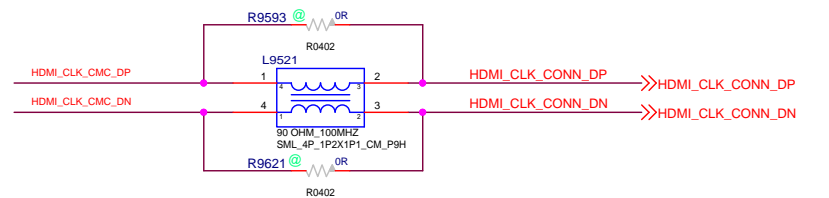
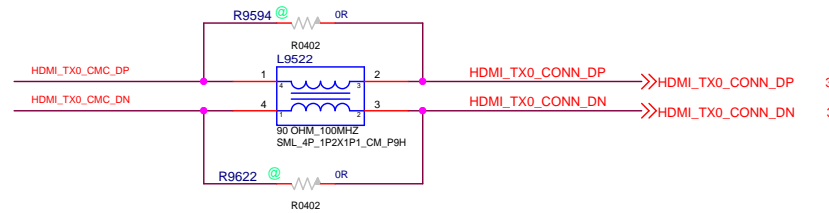
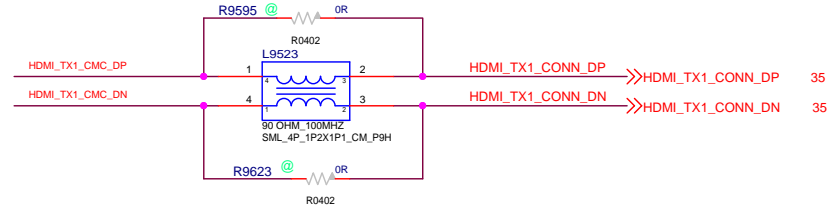
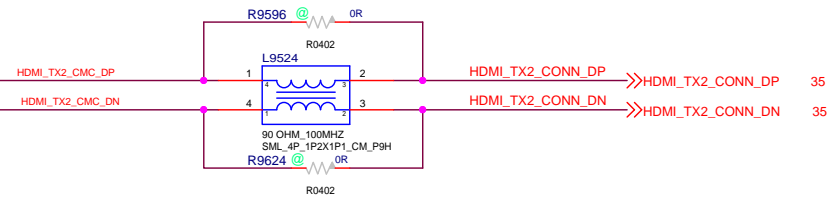
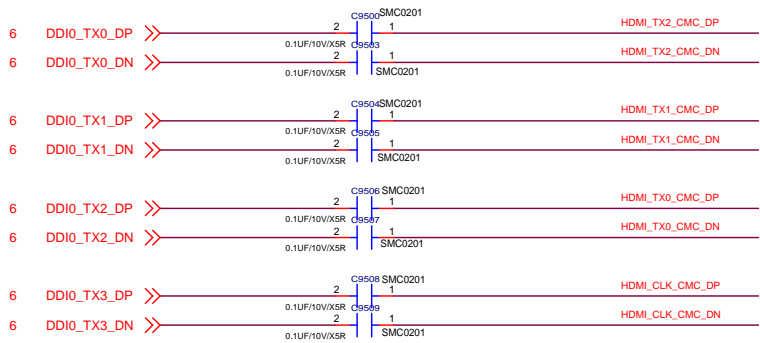
 Gemini Lake			
Title Gemini Lake			
Size B	Document Number	MICRO-SD CARD	Rev R100
Date:	Monday, November 05, 2018	Sheet	27 of 57



Title Gemini Lake			
Size Custom	Document Number	Rev R100	
POWER DELIVERY 5V AND 3.3V			
Date: Saturday, February 03, 2018	Sheet 29	of 57	

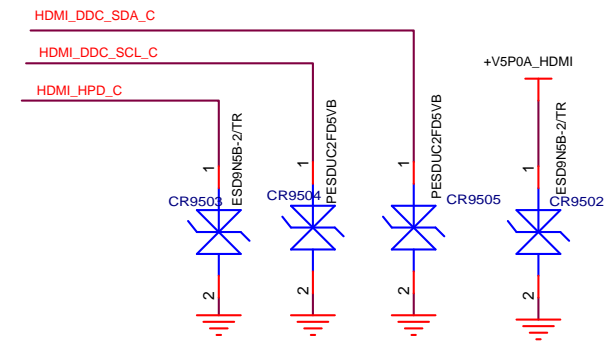
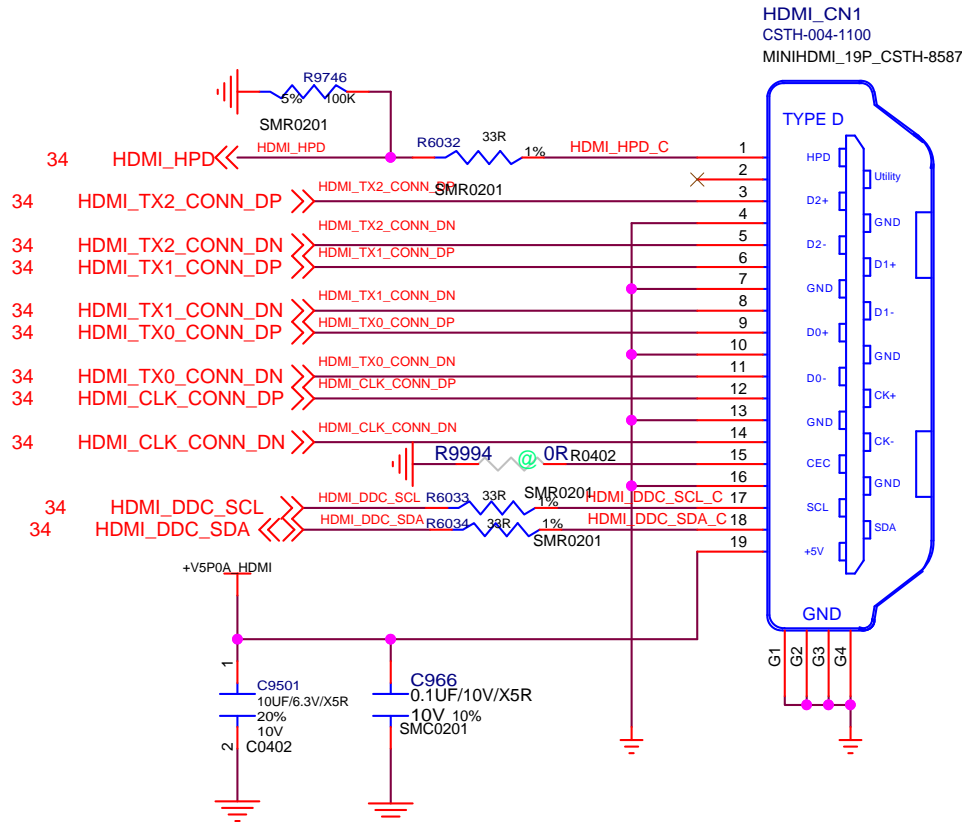
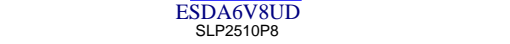
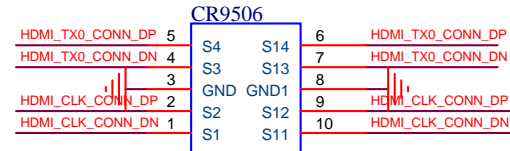
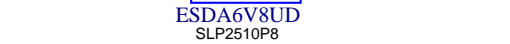
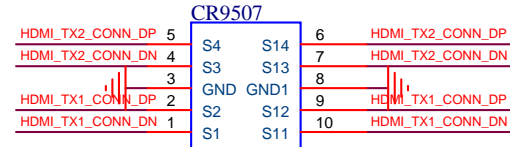
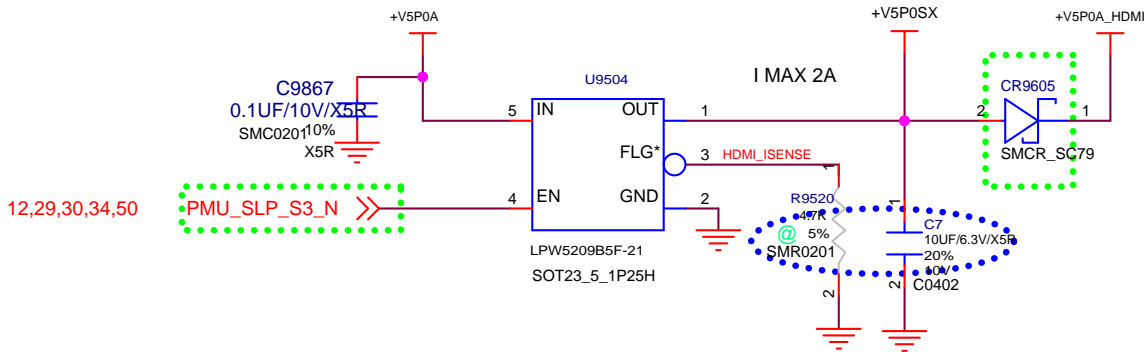
 Gemini Lake			
Title Gemini Lake			
Size A	Document Number POWER DELIVERY 1.2V	Rev R100	
Date:	Saturday, February 03, 2018	Sheet	32 of 57

 Gemini Lake			
Title		Gemini Lake	
Size A	Document Number	POWER DELIVERY1.8V AND 1.0V	Rev R100
Date:	Saturday, February 03, 2018	Sheet	33 of 57

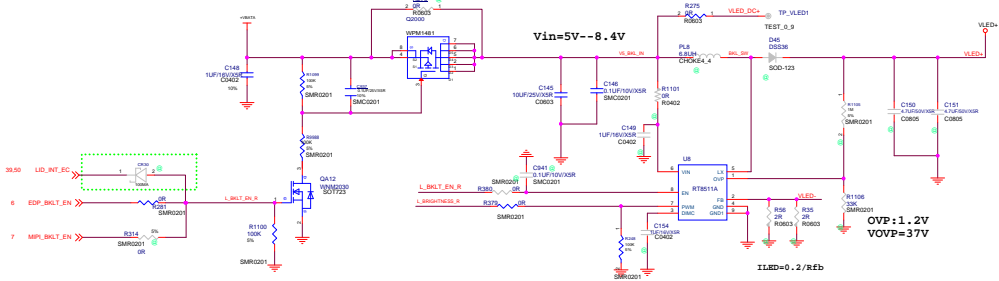
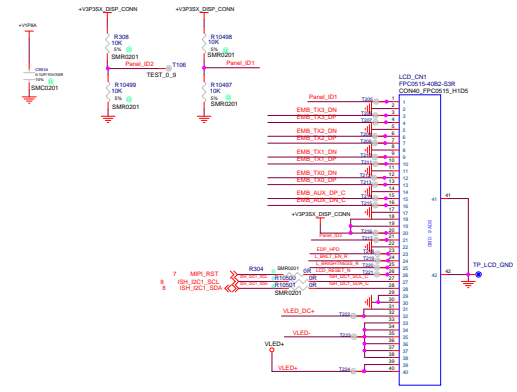
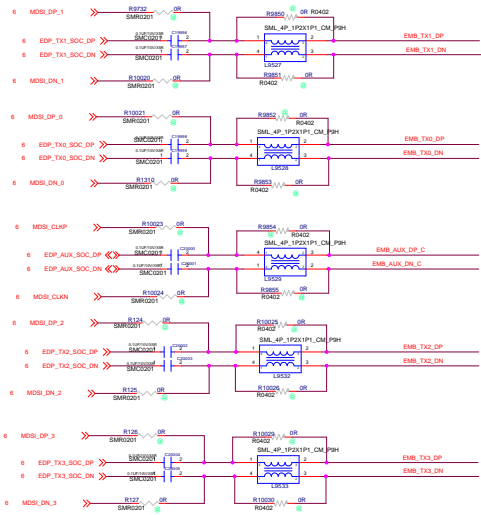



Title Gemini Lake		
Size B	Document Number	Rev R100
HDMI LEVEL SHIFTERS		
Date: Saturday, February 03, 2018	Sheet 34	of 57

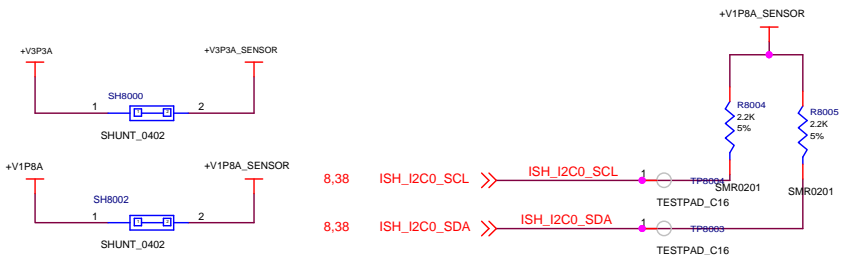
NC R8236, For LPW8208 pin 3 NO Function



Gemini Lake		
Title Gemini Lake		
Size A	Document Number HDMI CONNECTOR	Rev R100
Date:	Friday, February 23, 2018	Sheet 35 of 57

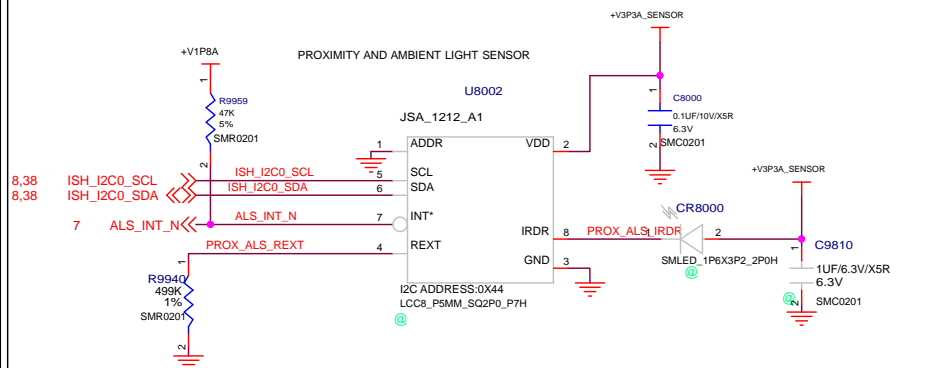


 Gemini Lake			
Title Gemini Lake			
Size Custom	Document Number	TOUCH PANEL AND DOCK	Rev R100
Date:	Monday, November 05, 2018	Sheet 37 of 57	

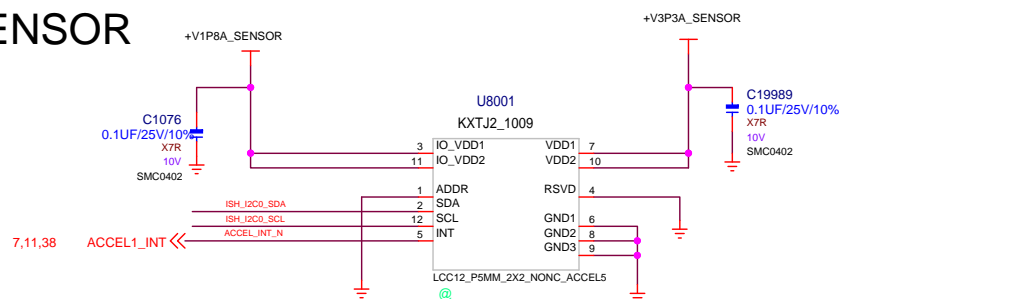


8,38 ISH_I2C0_SCL >> ISH_I2C0_SCL
 8,38 ISH_I2C0_SDA >> ISH_I2C0_SDA

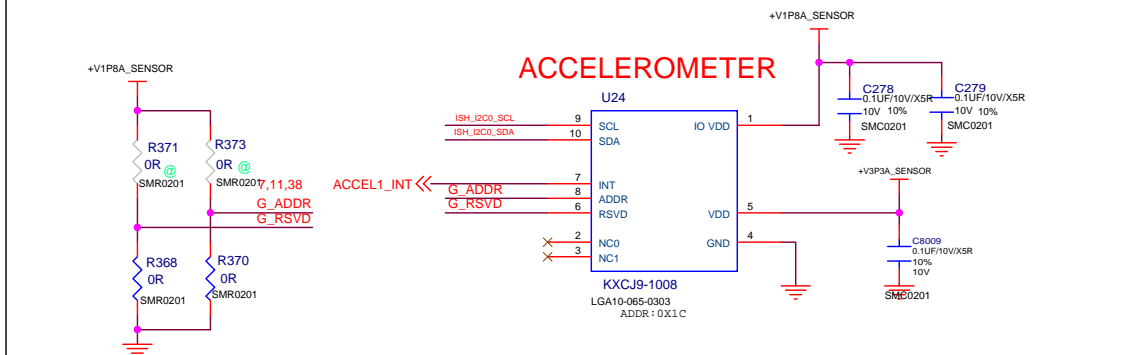
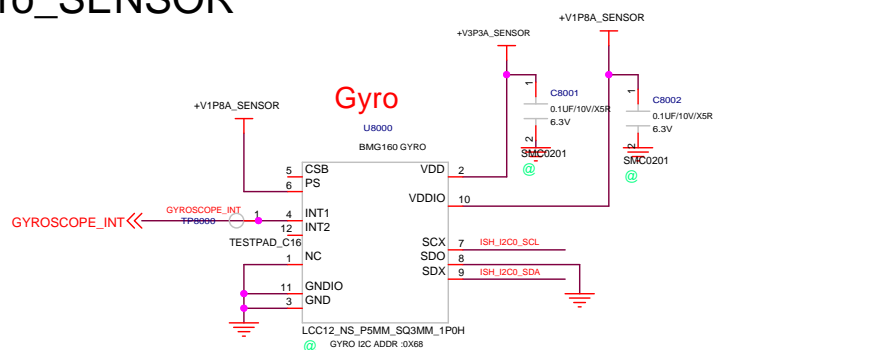
LIGHT_SENSOR



G_SENSOR



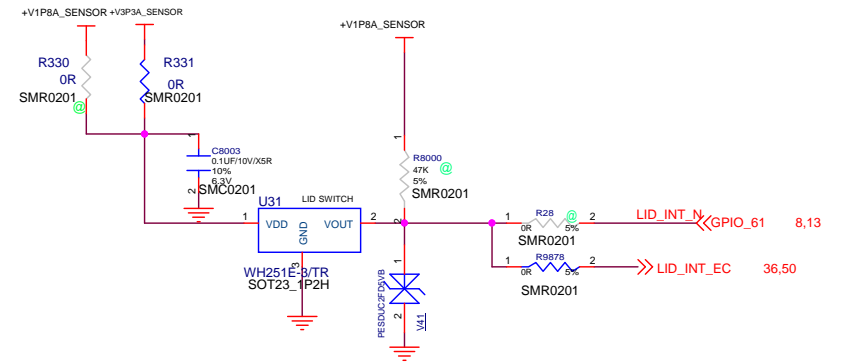
Gyro_SENSOR




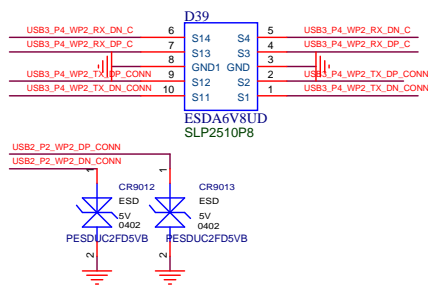
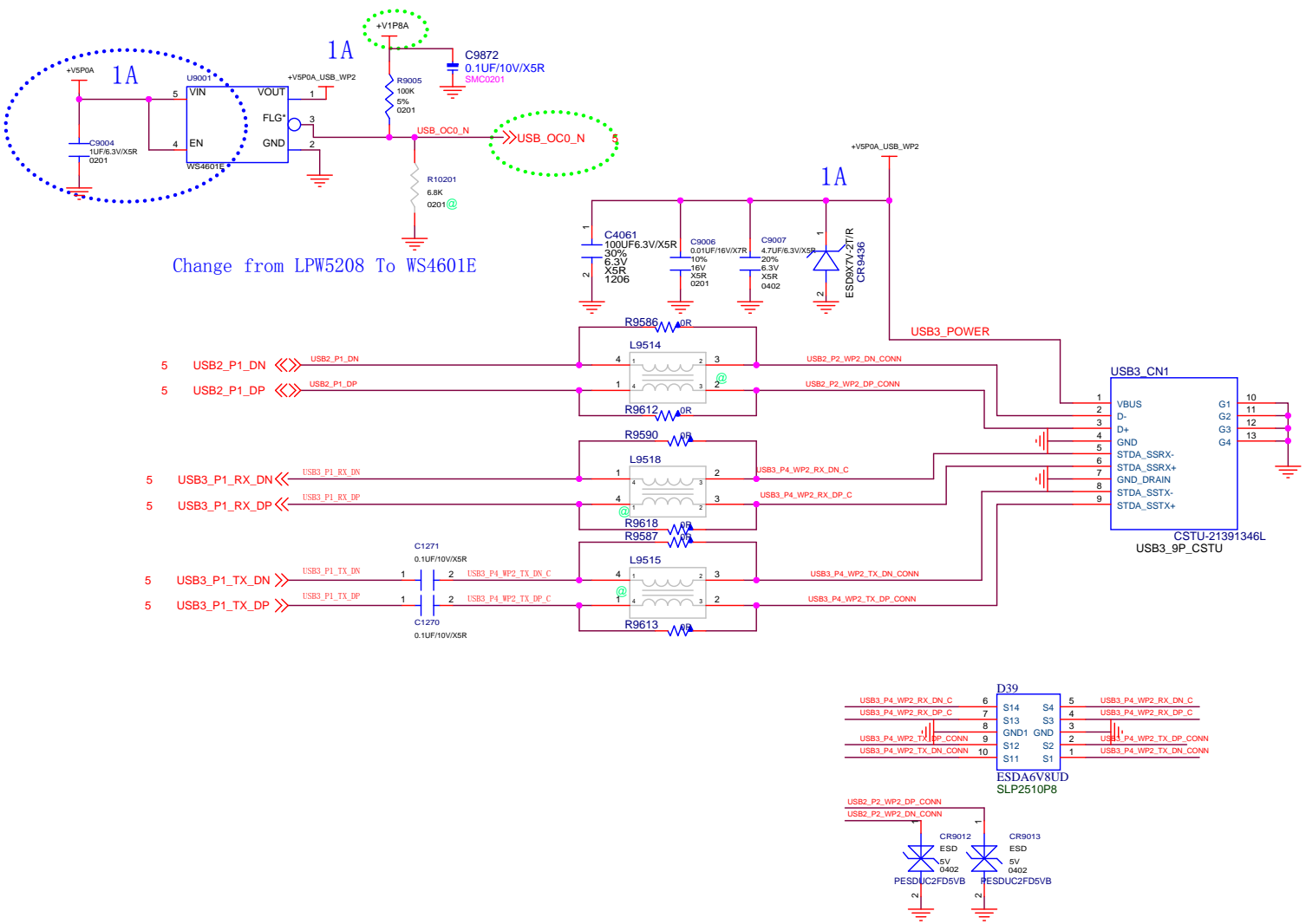
Title Gemini Lake		
Size B	Document Number SENSORS	Rev R100
Date: Monday, May 07, 2018	Sheet 38 of 57	


ACCEL I2C ADDR: 0x18

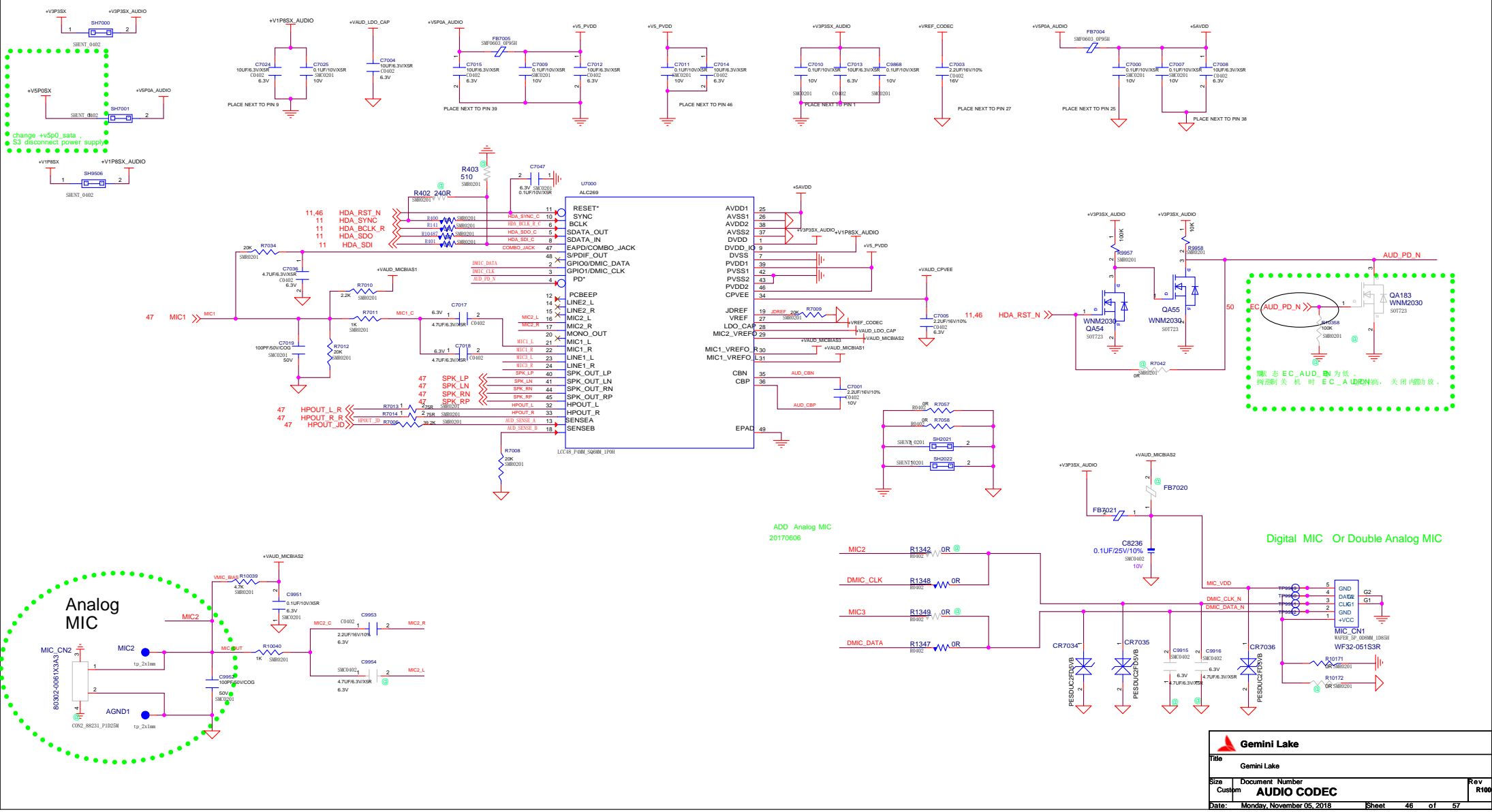
HALL



 Gemini Lake		
Title Gemini Lake		
Size B	Document Number FRONT AND REAR CAMERA CONN	Rev R100
Date: Monday, November 05, 2018	Sheet 39	of 57

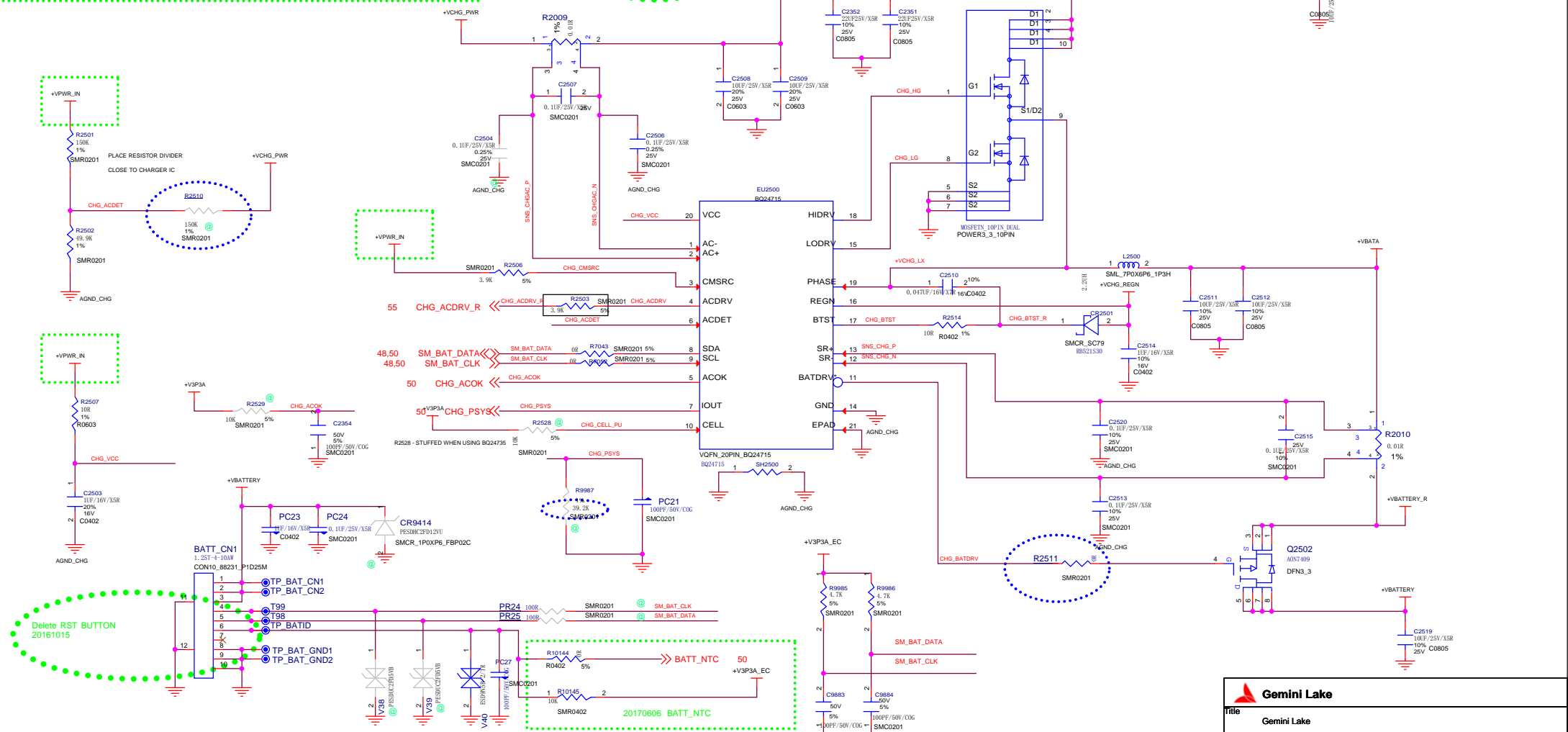
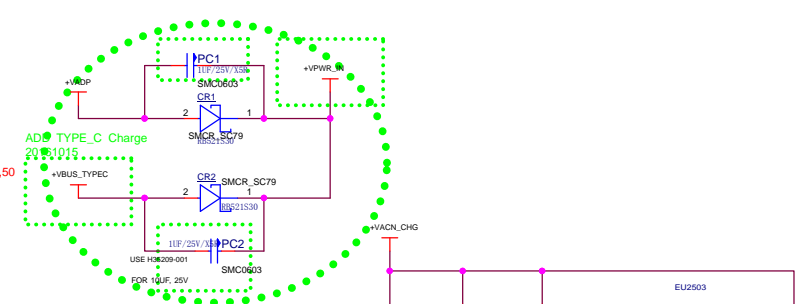
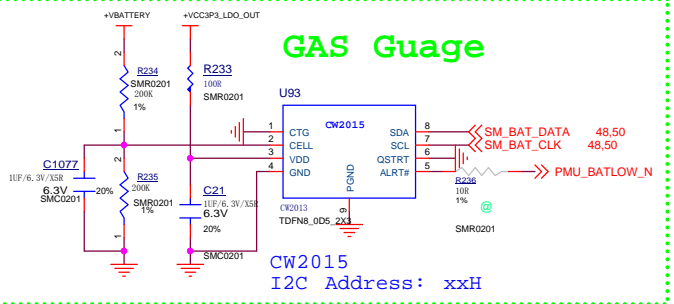


 Gemini Lake			
Title Gemini Lake			
Size B	Document Number MICRO SIM		Rev R100
Date:	Saturday, February 03, 2018	Sheet	45 of 57



Title Gemini Lake			
Size	Document Number	Rev	
Custom	AUDIO CODEC	R100	
Date:	Monday, November 05, 2016	Sheet	46 of 57

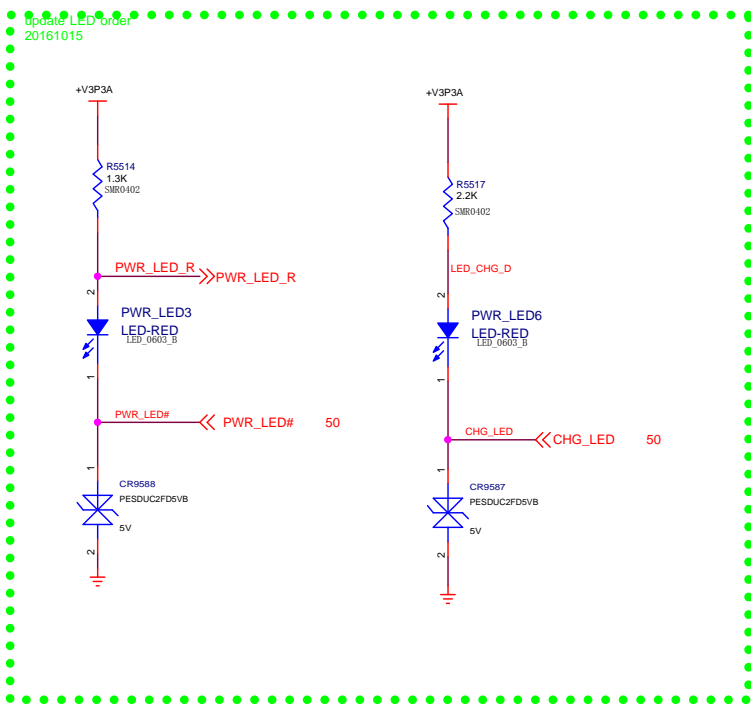
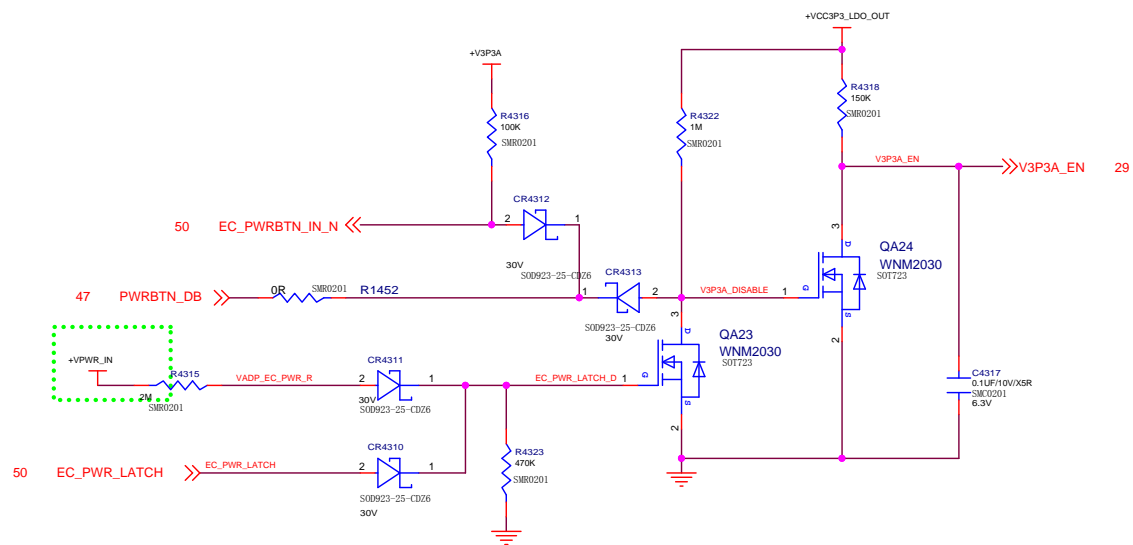
GAS Guage



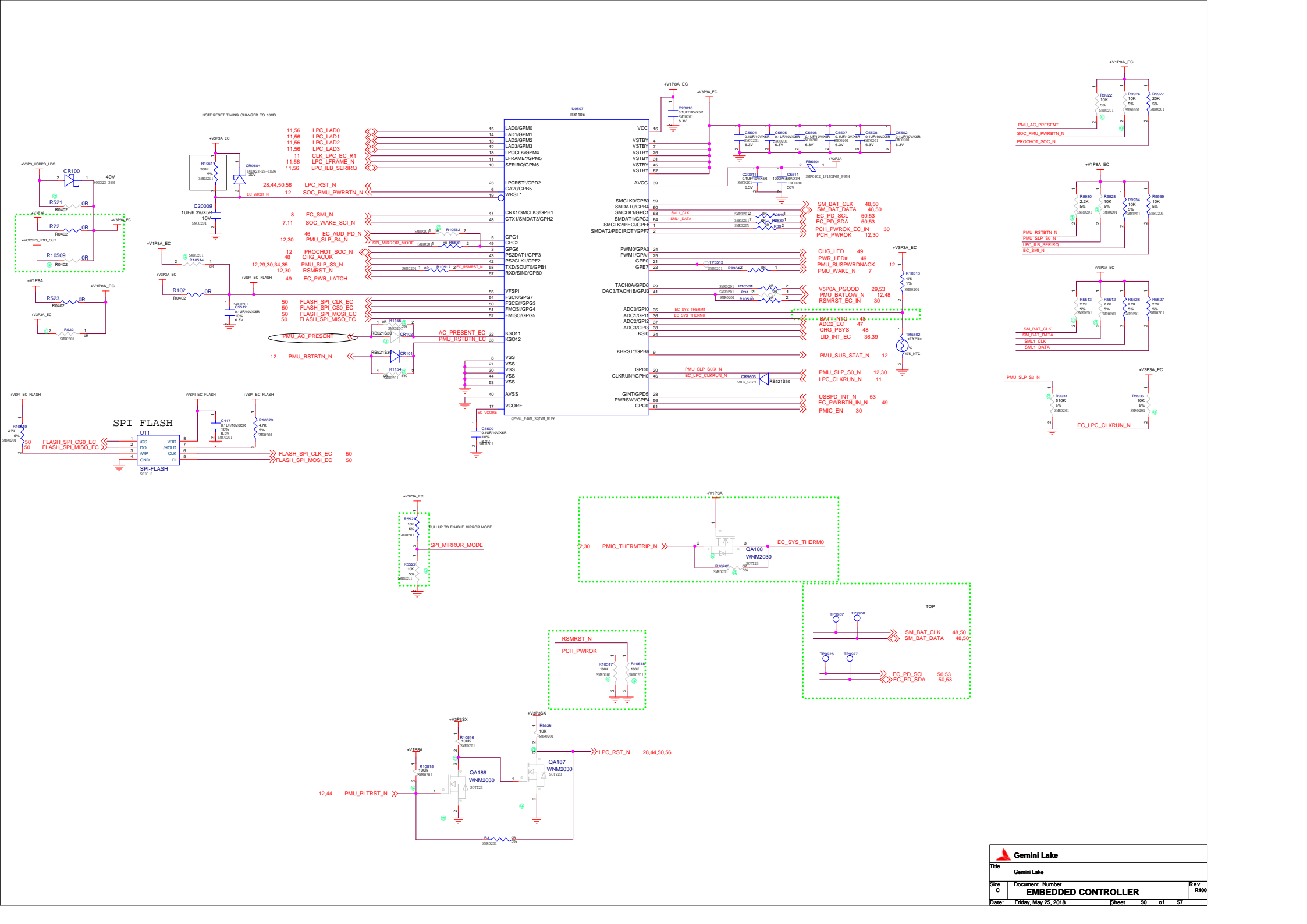
Delete RST BUTTON
20161015

20170606 BATT_NTC

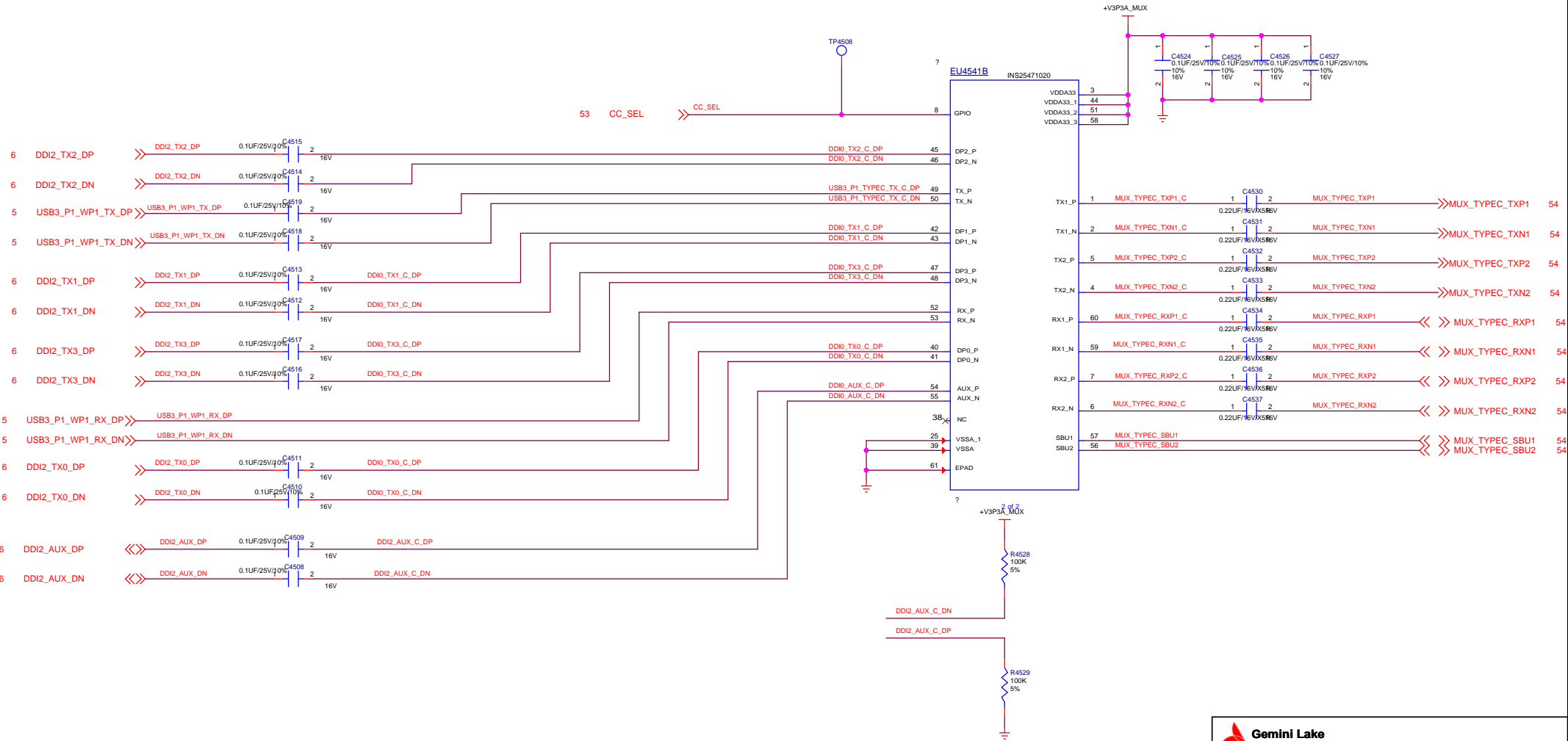
		Gemini Lake
Title Gemini Lake		
Size	Document Number	Rev
Custom	BATTERY CHARGER	R100
Date:	Friday, May 25, 2018	Sheet 48 of 57




Title Gemini Lake		
Size B	Document Number DC JACK	Rev R100
Date: Saturday, February 03, 2018	Sheet 49 of 57	



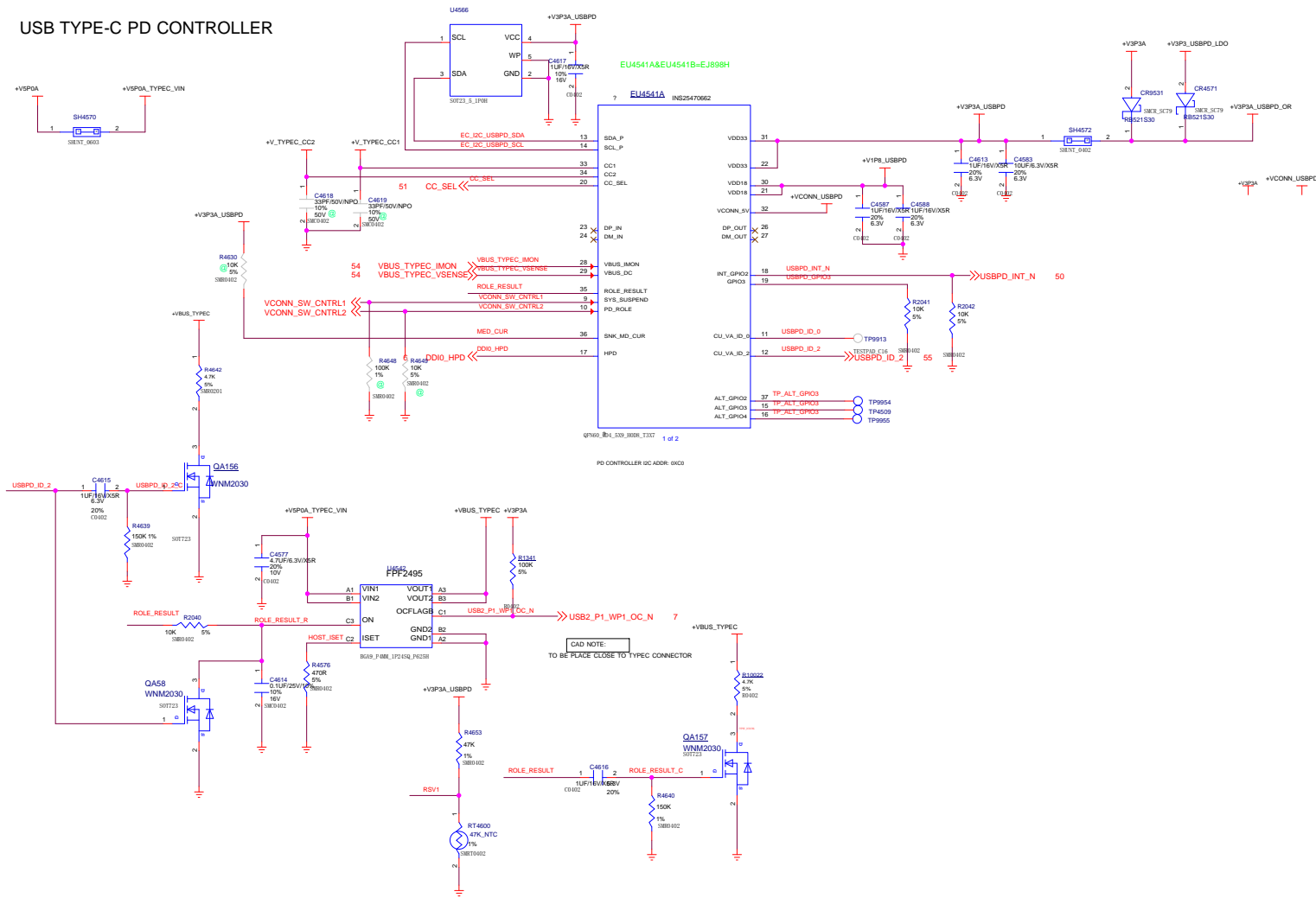
USB TYPE-C MUX



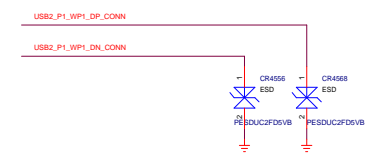
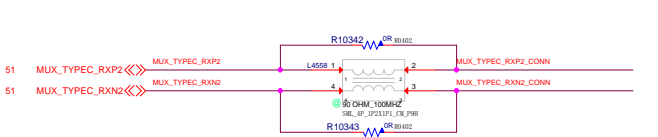
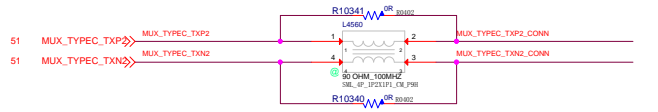
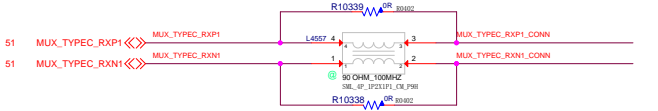
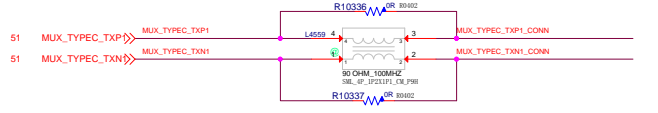
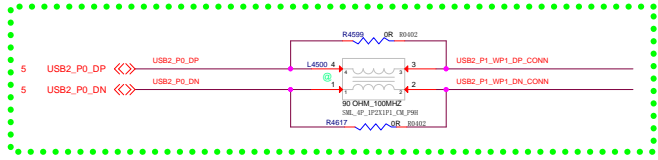
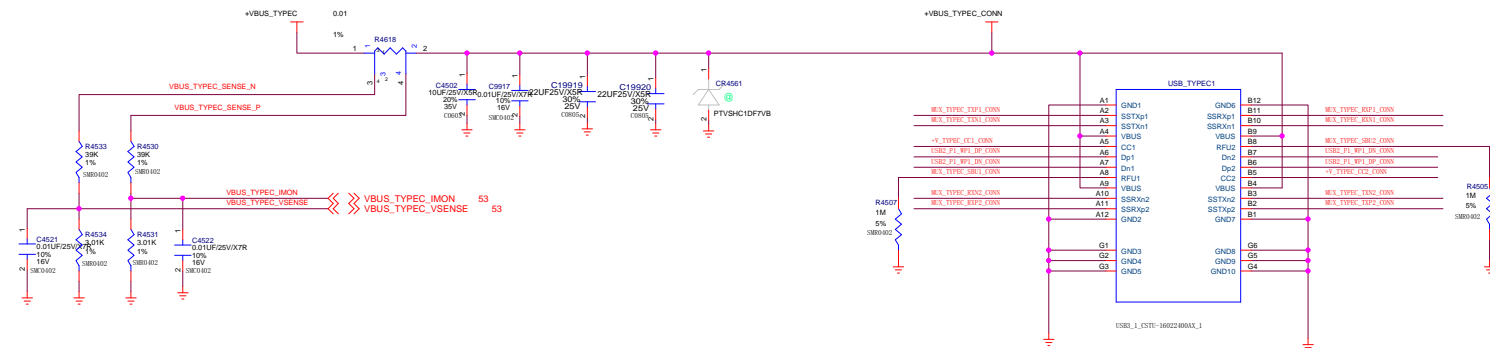
Title Gemini Lake			
Size Custom	Document Number		Rev R100
Date: Saturday, February 03, 2018 Sheet 51 of 57			

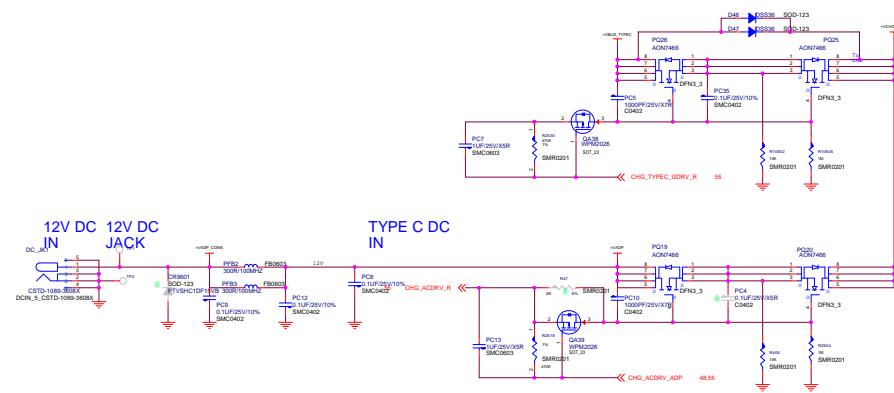
 Gemini Lake			
Title Gemini Lake			
Size B	Document Number TYPEC BOOST VR		Rev R100
Date:	Monday, November 05, 2018	Sheet	52 of 57

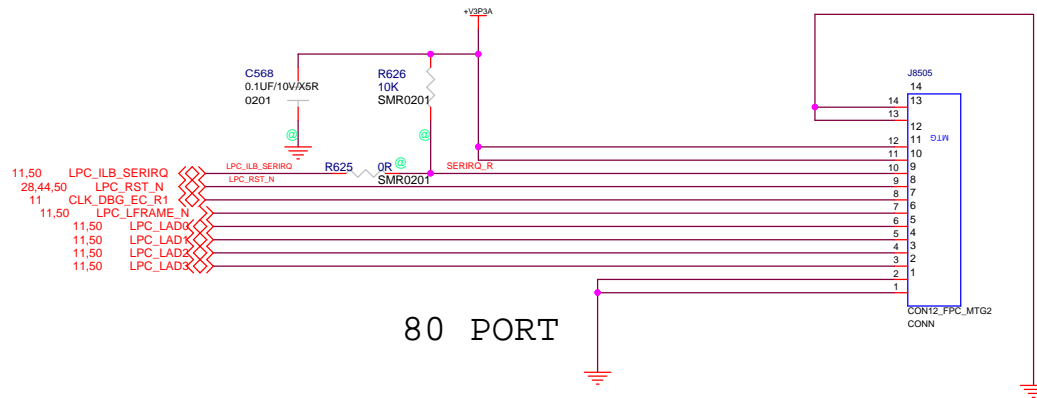
USB TYPE-C PD CONTROLLER

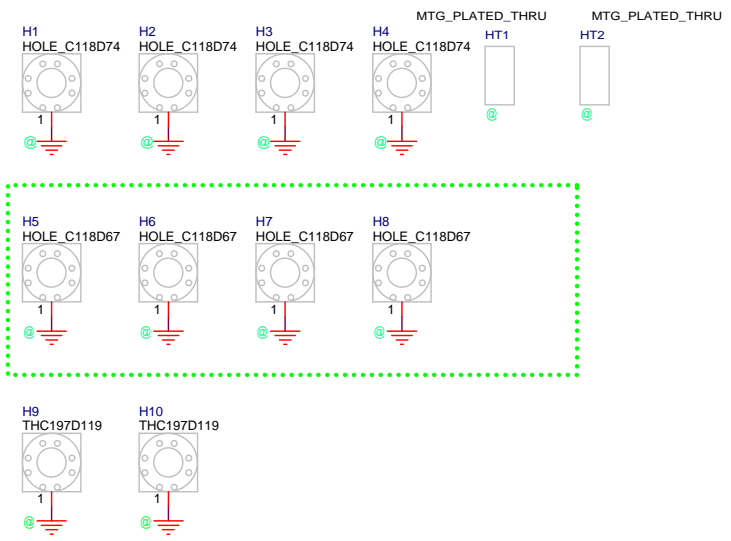



USB TYPE-C CONNECTOR









 Gemini Lake		
Title Gemini Lake		
Size B	Document Number	Rev R100
FACTORY TEST POINTS		
Date: Saturday, February 10, 2018	Sheet 57 of 57	